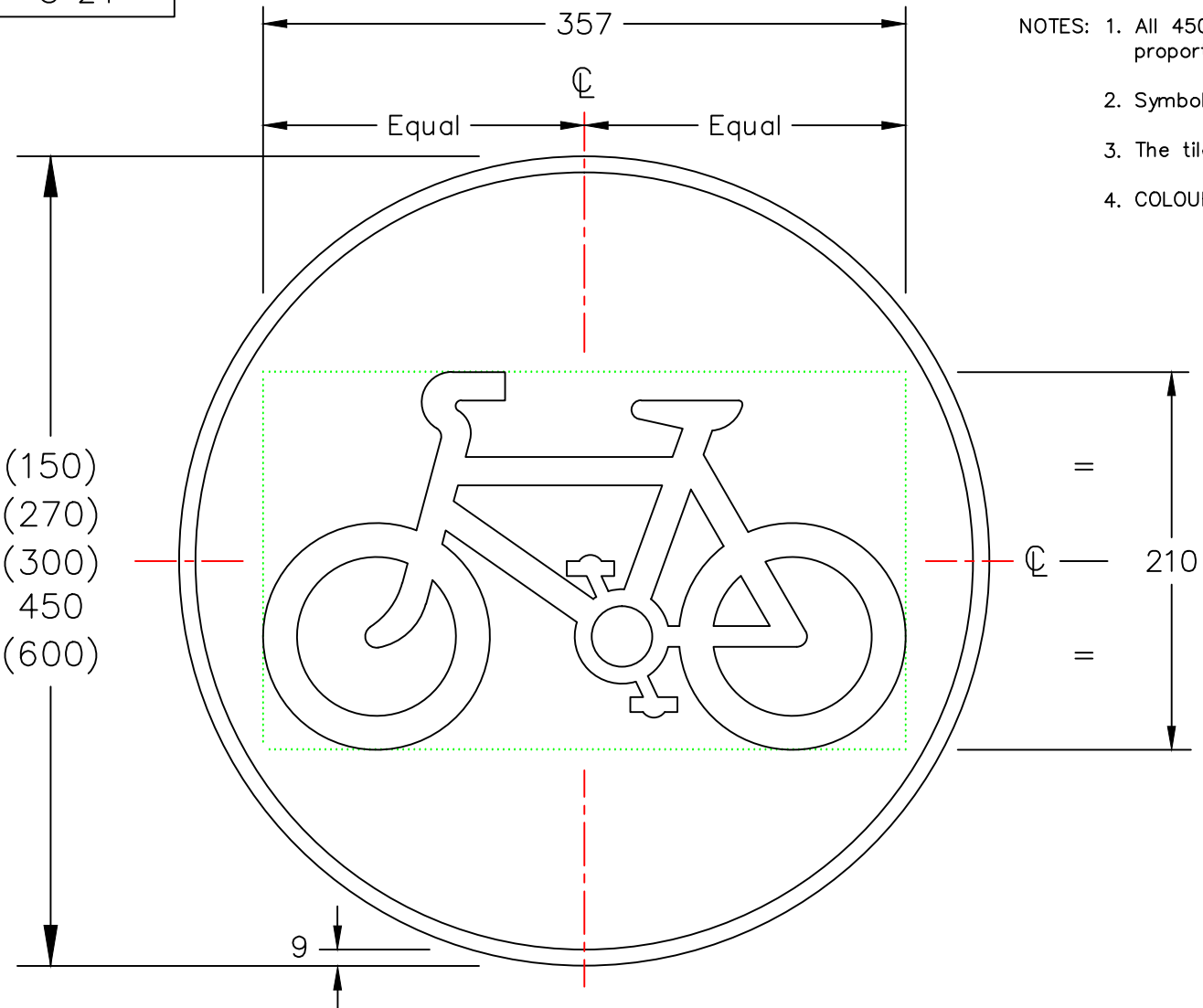


Drawing No.  
P 955

Related Drawing  
S 24

© CROWN COPYRIGHT



- NOTES: 1. All 450mm dia sign dimensions shall be varied proportionally for the other roundel sizes.  
 2. Symbol details are given on drawing S 24.  
 3. The tile outline does not form part of the sign.  
 4. COLOURS : Background ----- BLUE  
 Border & Symbol --- WHITE

P955

Before using this drawing, confirm that it has not been superseded.

<b>Department for Transport</b>	Title: Regulatory Sign	Issue: A: 6.7.94	Date: S.P.	Drawn by :	Dimensions :	Drawing No.
	ROUTE FOR USE BY PEDAL CYCLES ONLY	B: 4.8.04	R.M.	Approved by :	MILLIMETRES	P 955
		C: 11.11.11				