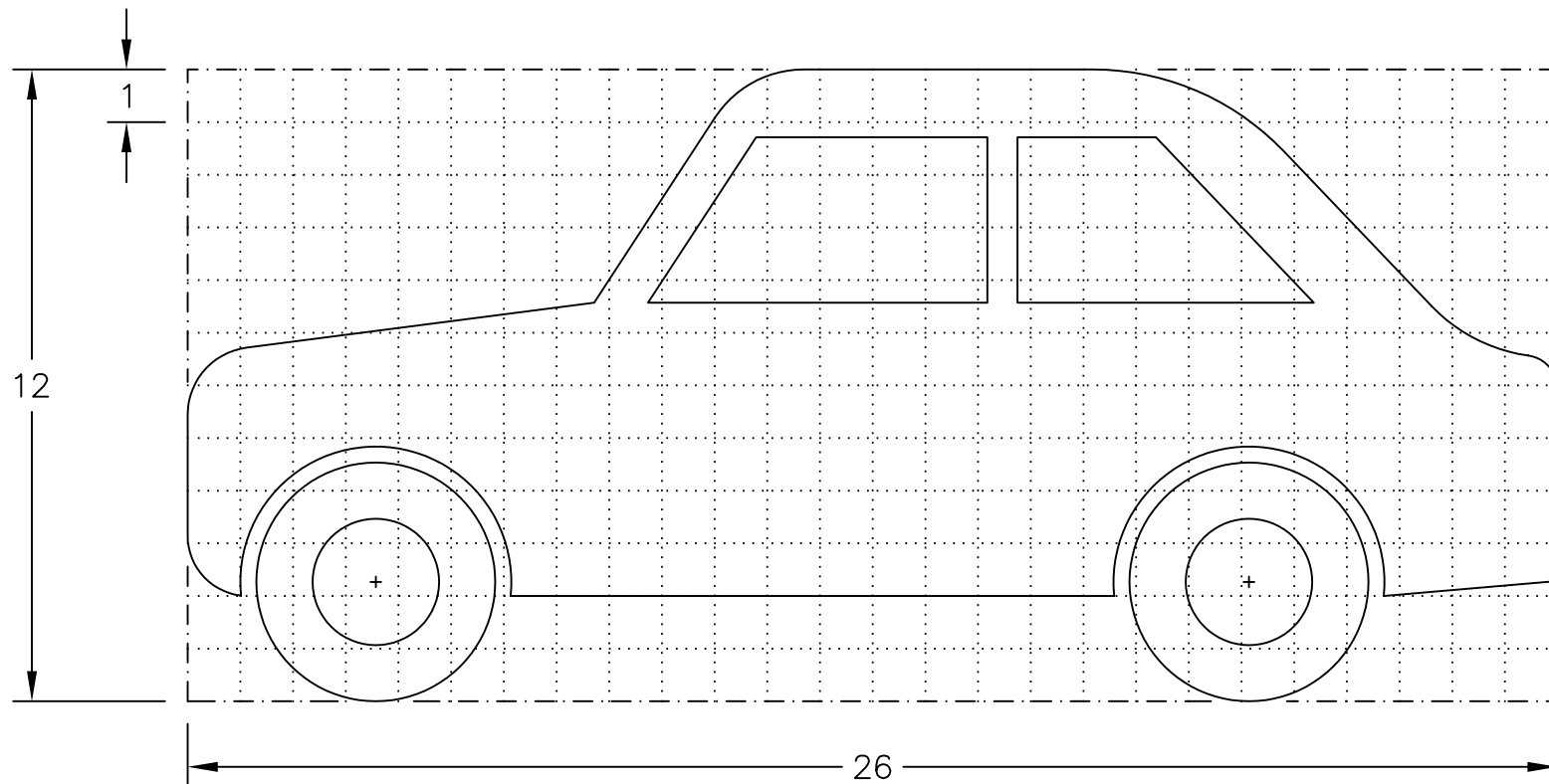


Drawing No.
S 16

Before using this drawing, confirm
that it has not been superseded.

© CROWN COPYRIGHT

- NOTES: 1. The grid does not form part of any sign to which the symbol is applied.
2. Dimensions are given in grid divisions.
3. The symbol may be reversed when used on directional signs.



S16

Department for
Transport

Title:

Symbol
CAR (side view)

Issue: Date:
A: 17.2.94
B: 12.11.02
C:

Drawn by:
S.P.
Approved by:
R.M.

Dimensions:
ALL IN
GRID DIVISIONS

Drawing No.

S 16