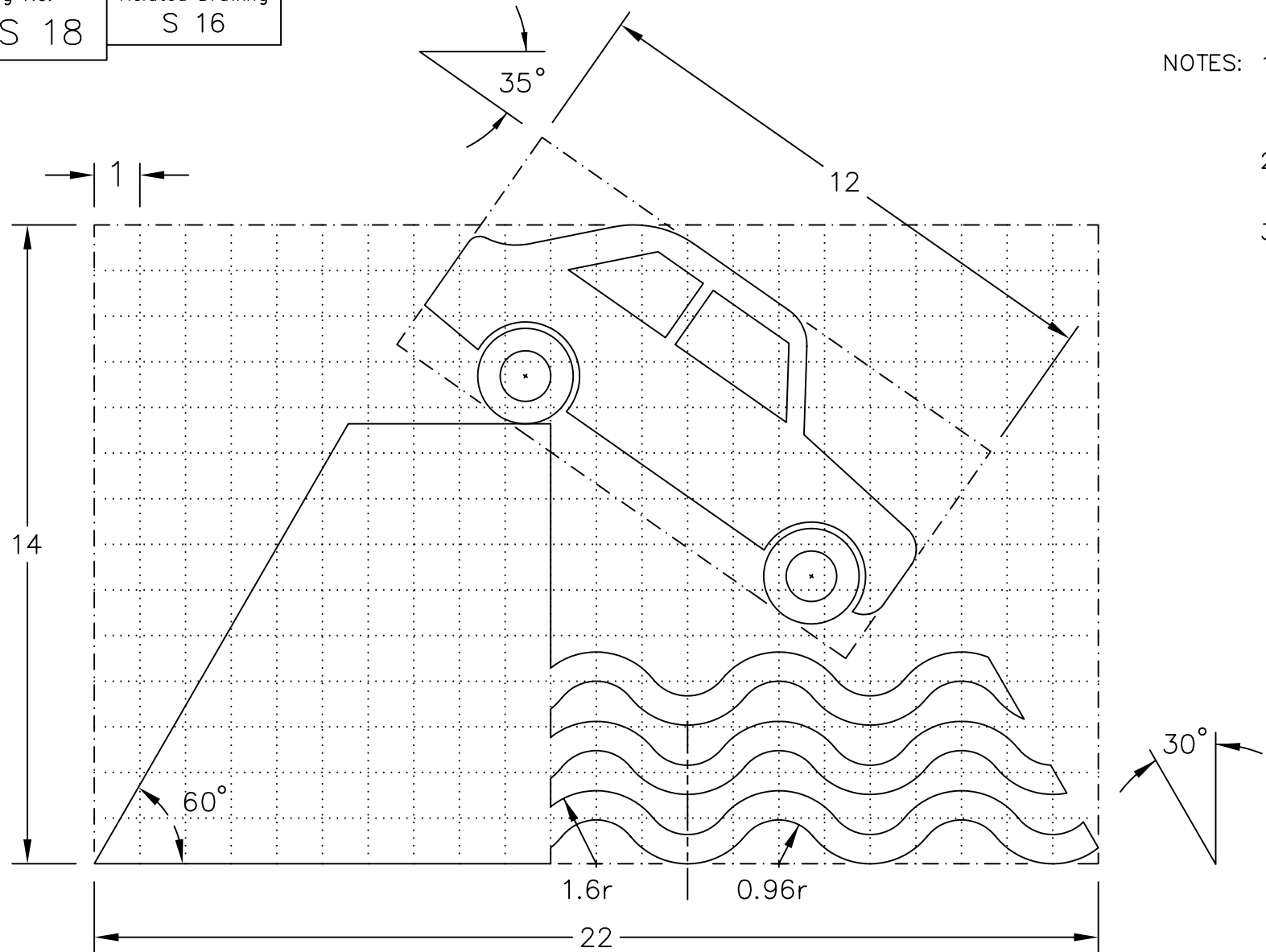


Drawing No.  
S 18

Related Drawing  
S 16

© CROWN COPYRIGHT

- NOTES: 1. The grid does not form part of any sign to which the symbol is applied.  
2. Dimensions are given in grid divisions.  
3. See also drawing S 16 for car symbol.



S18

Before using this drawing, confirm that it has not been superseded.

<p><b>Department for Transport</b></p>	Title:	Symbol	Issue:	Date:	Drawn by:	Dimensions:	Drawing No.
	QUAYSIDE OR RIVER BANK		A:	15.2.94	S.P.	ALL IN GRID DIVISIONS	S 18
			B:	12.11.02	Approved by:		
			C:		R.M.		