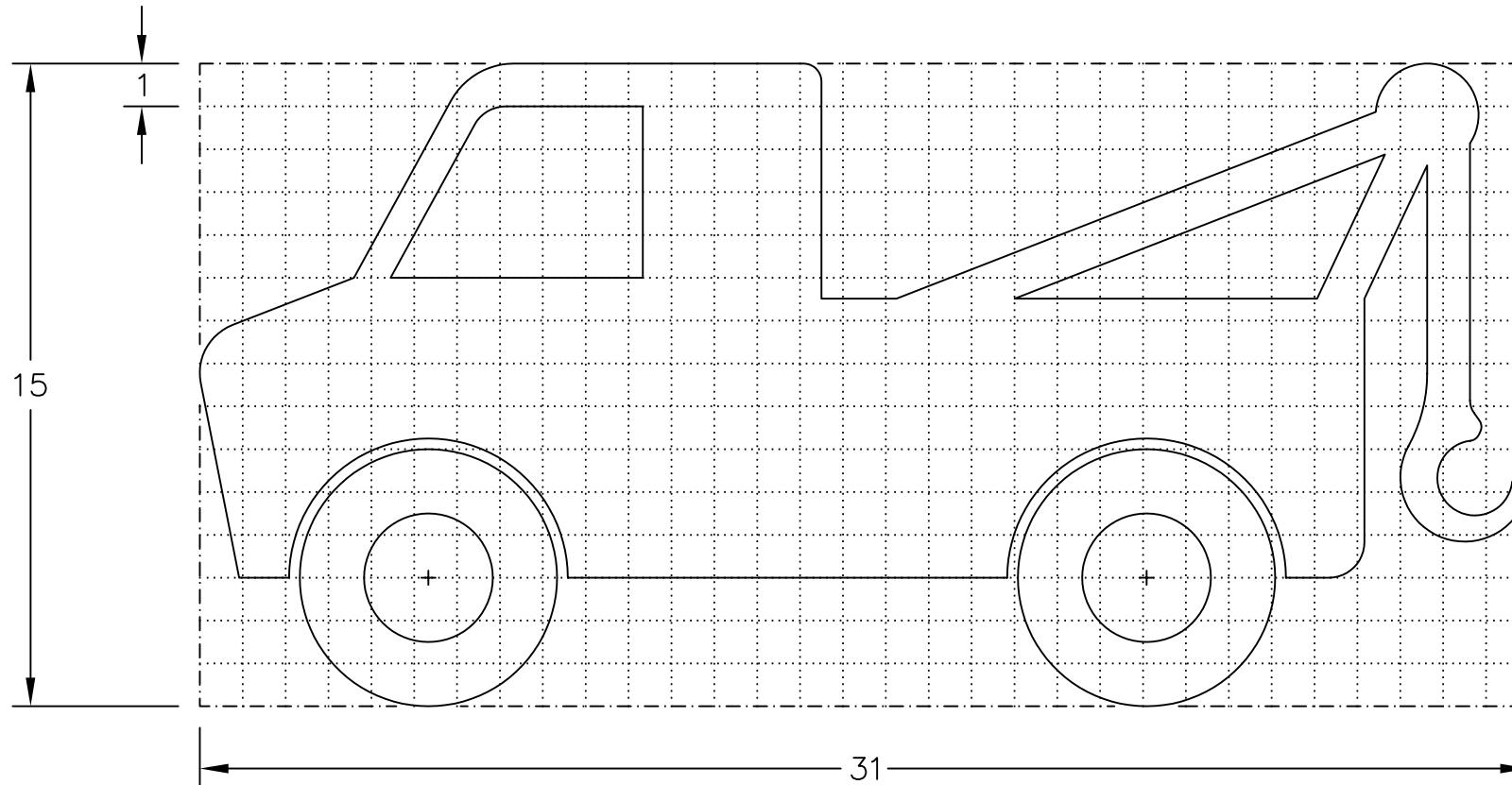


Drawing No.
S 61

Before using this drawing, confirm
that it has not been superseded.

© CROWN COPYRIGHT

- NOTES: 1. The grid does not form part of any
sign to which the symbol is applied.
2. Dimensions are given in grid divisions.



S61

Department for
Transport

Title: Symbol
RECOVERY VEHICLE

Issue: Date:
A: 12.11.02
B:
C:

Drawn by:
C.W.
Approved by:
R.M.

Dimensions:
ALL IN
GRID DIVISIONS

Drawing No.
S 61