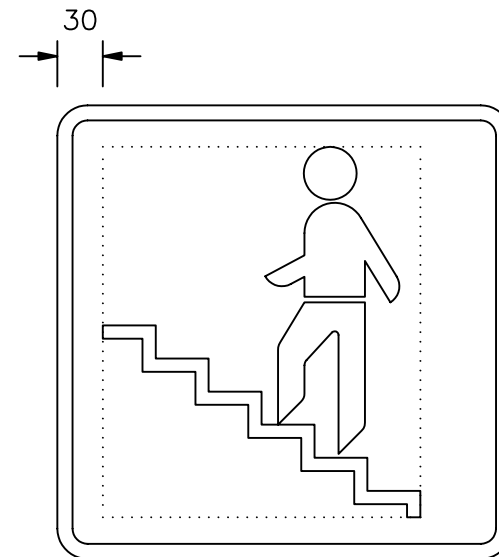
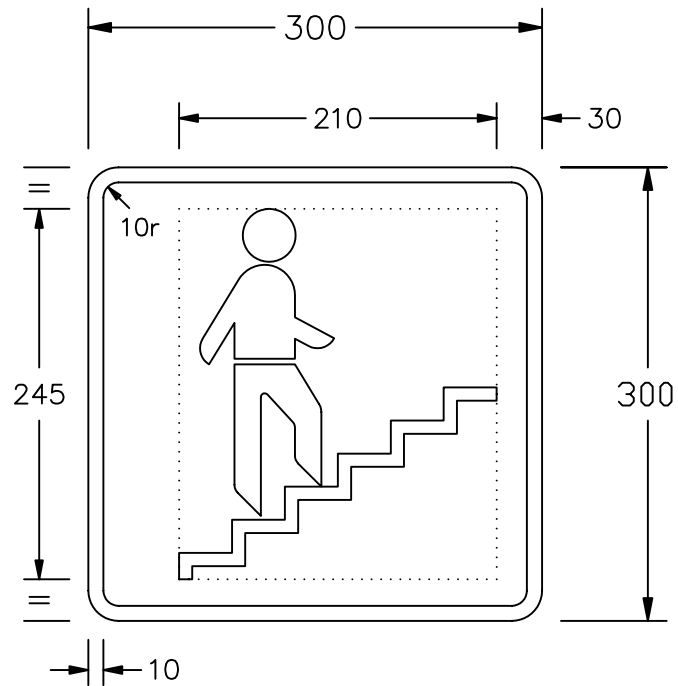


Drawing No.  
P 814.3

Related Drawing  
S 51

© CROWN COPYRIGHT

- NOTES: 1. Symbol details are given on drawing S 51.  
 2. The tile outlines do not form part of the signs.  
 3. COLOURS : Background ----- BLUE  
 Symbol & Border --- WHITE



VARIANT

P814x3

Before using this drawing, confirm that it has not been superseded.

**Department for  
Transport**

Title: Informatory Signs  
 STEPPED APPROACH TO  
 PEDESTRIAN OVERBRIDGE

Issue: Date:  
 A: 11.7.94  
 B: 27.2.04  
 C:

Drawn by:  
 S.P.  
 Approved by:  
 R.M.

Dimensions:  
 MILLIMETRES

Drawing No.  
 P 814.3