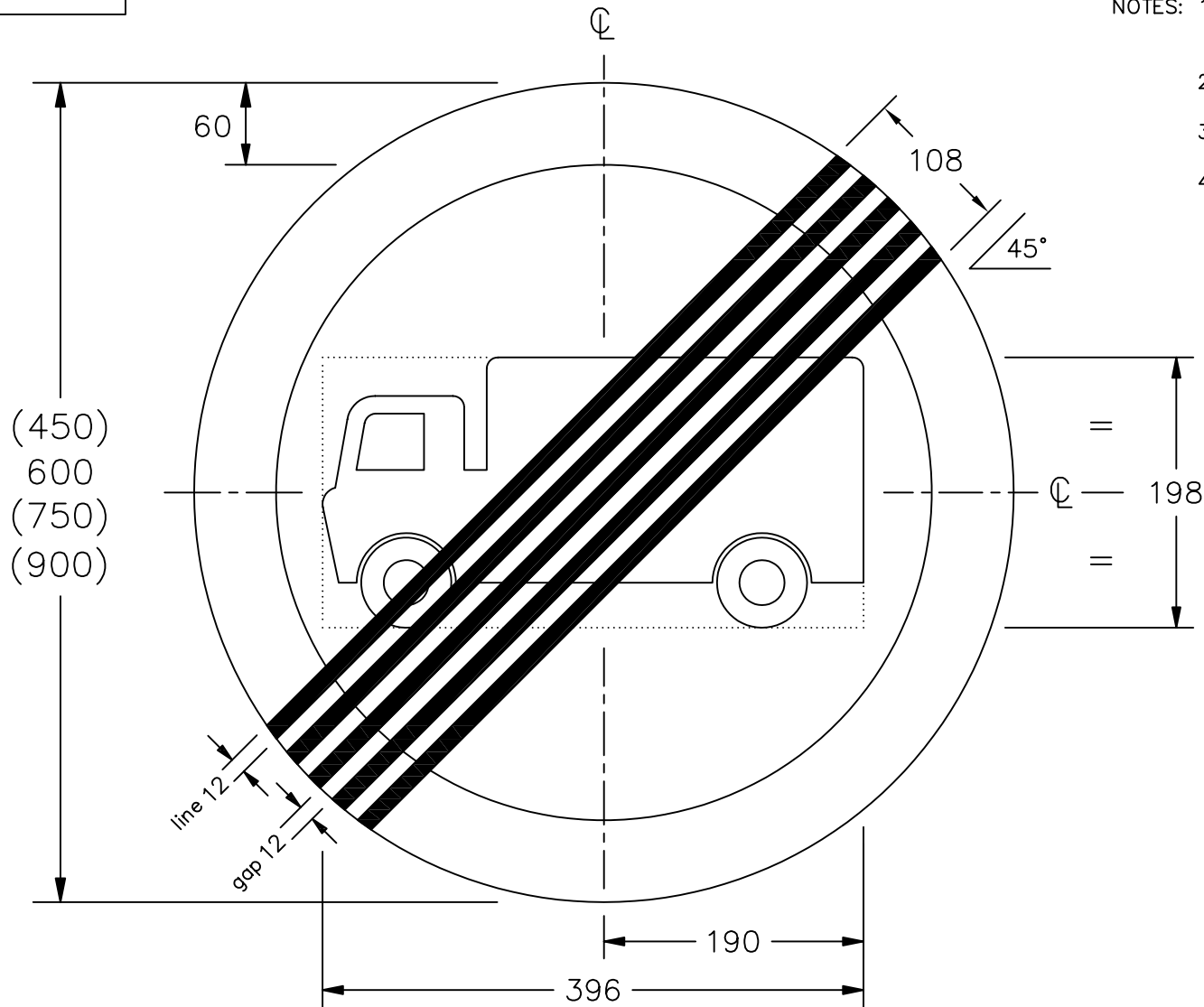


Drawing No.  
P 622.2

Related Drawing  
S 32 sheet 1

© CROWN COPYRIGHT

- NOTES: 1. All 600mm dia sign dimensions shall be varied proportionally for the other roundel sizes.  
2. Symbol details are given on drawing S 32 sheet 1.  
3. The tile outline does not form part of the sign.  
4. COLOURS : Background ----- WHITE  
Border & Symbol ---- GREY  
Diagonal bars ----- BLACK



P622x2

Before using this drawing, confirm that it has not been superseded.

**Department for  
Transport**

Title: Regulatory Sign  
**END OF PROHIBITION**  
INDICATED BY THE SIGN ON P 622.1A

Issue: Date:  
A: 5.7.94  
B: 16.7.04  
C:

Drawn by: S.P.  
Approved by: R.M.

Dimensions:  
MILLIMETRES

Drawing No.  
P 622.2