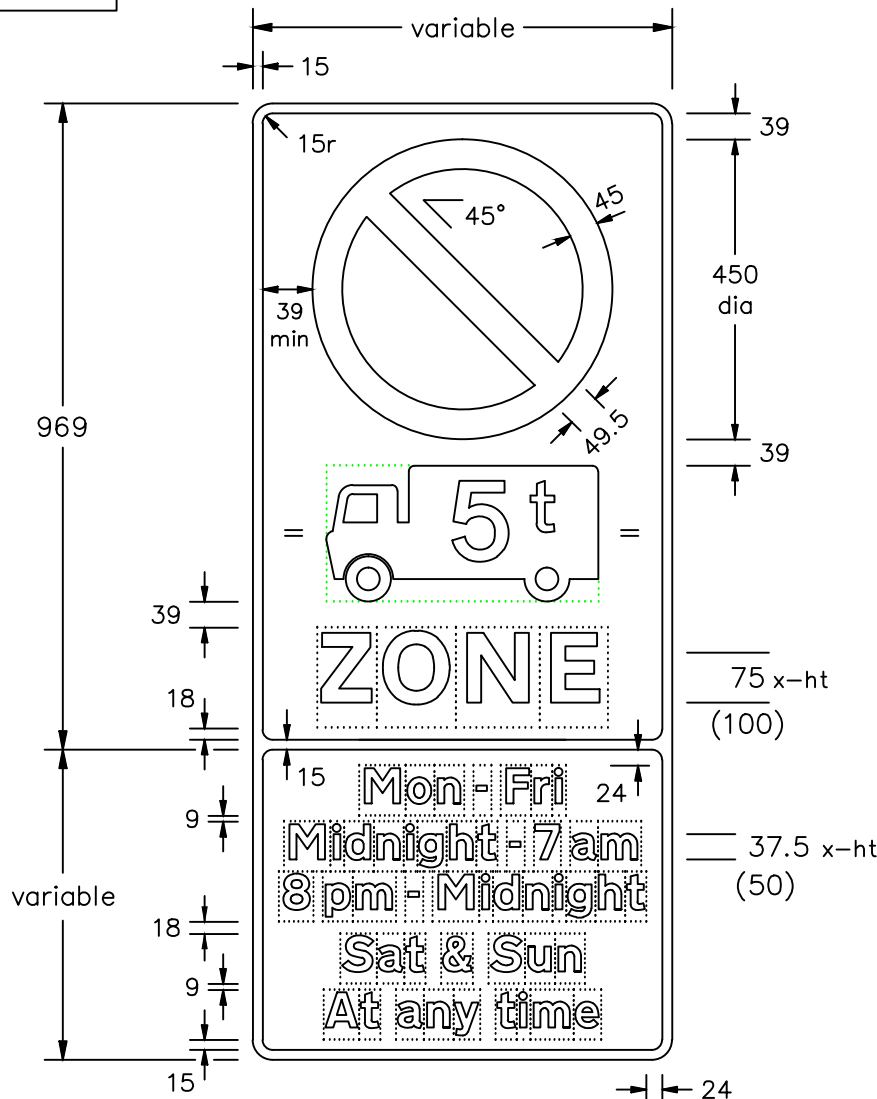


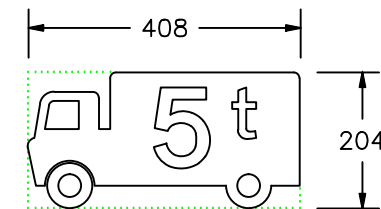
Drawing No.  
P 665  
Sheet 1 of 2

Related Drawing  
S 32

© CROWN COPYRIGHT



- NOTES:
- The legend is from the Transport Heavy alphabet at the x-heights shown. The legend on the lorry symbol is from the Transport Medium alphabet.
  - Lorry symbol details are given on drawing S 32.
  - The tile outlines do not form part of the sign.
  - COLOURS : Background ----- WHITE  
Legend & Borders ----- BLACK  
Roundel & Bar ----- RED  
Roundel background ----- BLUE  
Lorry symbol ----- BLACK  
5t on lorry ----- WHITE
  - DIMENSIONS : All dimensions are based on the smaller x-heights and shall be varied proportionally for the larger sign size.
  - See sheet 2 for variants. See section 12 in Chapter 7 of the Traffic Signs Manual for further details of time plate design.



P665-1

Before using this drawing, confirm that it has not been superseded.

	Title:	Regulatory Sign	Issue:	Date:	Drawn by:	Dimensions:	Drawing No.
	ENTRANCE TO CONTROLLED PARKING ZONE APPLYING TO GOODS VEHICLES		A:	27.7.94	S.P.	MILLIMETRES	P 665
			C:	31.8.04	Approved by:		Sheet 1 of 2
			D:	11.11.11	R.M.		

Drawing No.  
**P 665**  
 Sheet 2 of 2

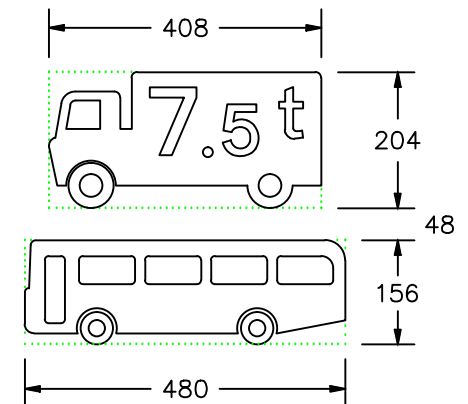
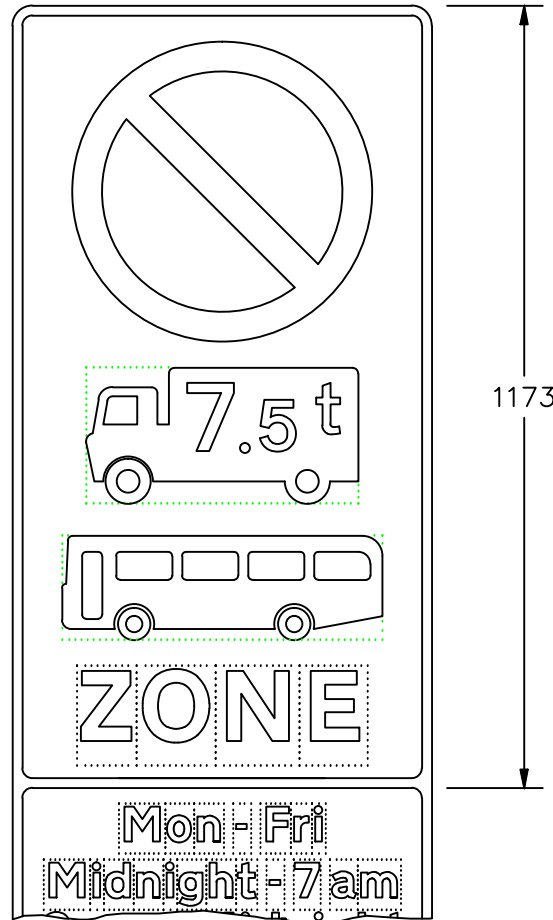
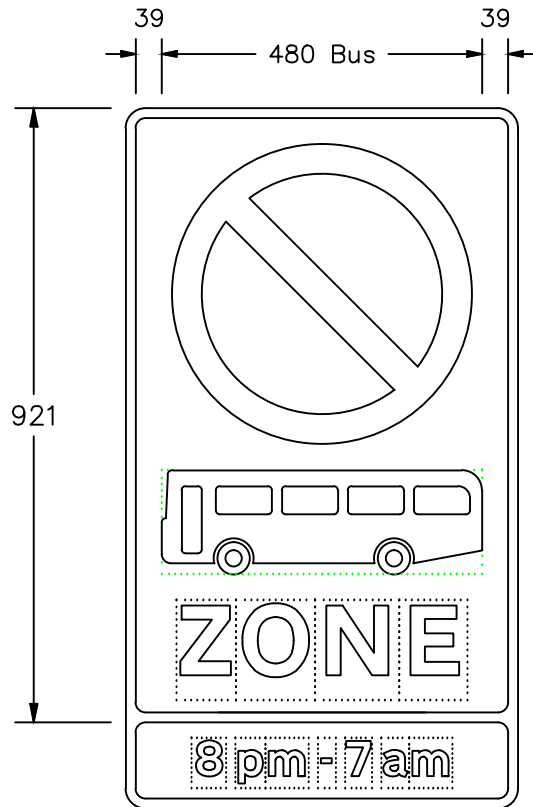
Related Drawings  
 S 25  
 S 32

Before using this drawing, confirm that it has not been superseded.

© CROWN COPYRIGHT

NOTES: 1. The legend is from the Transport Heavy alphabet at the x-heights shown on sheet 1. The legend on the lorry symbol is from the Transport Medium alphabet.

2. Bus symbol details are given on drawing S 25 & lorry symbol details on drawing S 32.
3. The tile outlines do not form part of the signs.
4. COLOURS : Background ----- WHITE  
 Legend & Borders ----- BLACK  
 Roundel & Bar ----- RED  
 Roundel background ----- BLUE  
 Lorry and Bus symbols --- BLACK  
 7.5t on lorry ----- WHITE
5. DIMENSIONS : All dimensions are based on the smaller x-heights shown on sheet 1 and shall be varied proportionally for the larger sign size. See sheet 1 for other dimensions.



P665-2

**Department for  
 Transport**

Title: Regulatory Signs  
 ENTRANCE TO CONTROLLED PARKING ZONE  
 APPLYING TO BUSES & GOODS VEHICLES

Issue: Date:  
 A: 27.7.94  
 C: 31.8.04  
 D: 11.11.11

Drawn by : L.W.  
 Approved by: R.M.

Dimensions :  
 MILLIMETRES

Drawing No.  
**P 665**  
 Sheet 2 of 2