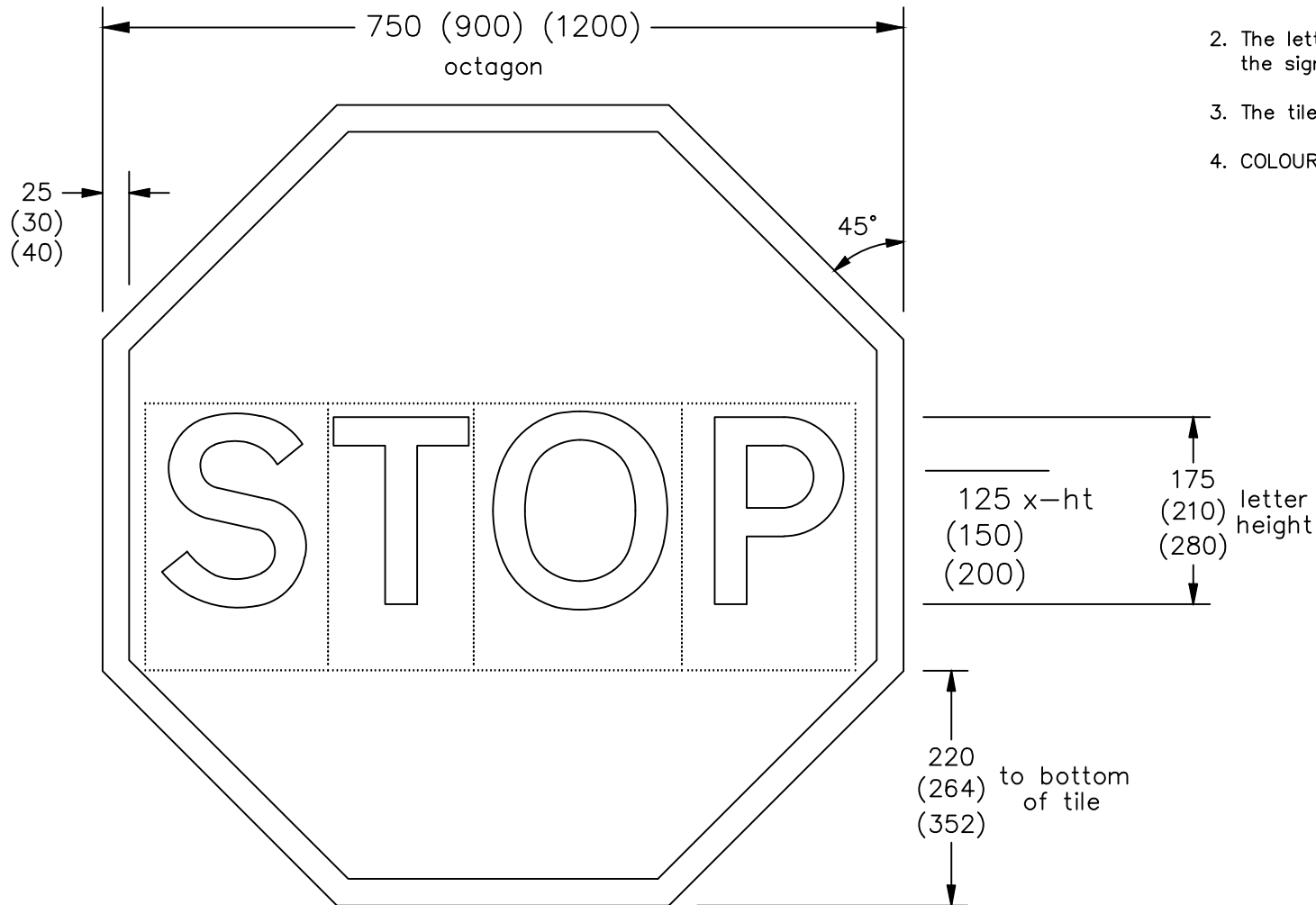


Drawing No.  
P 601.1

© CROWN COPYRIGHT

- NOTES: - 1. The legend is from the Transport Medium alphabet at the x-heights shown.
2. The letters (not tiles) are centred horizontally on the sign.
3. The tile outlines do not form part of the sign.
4. COLOURS : Background ----- RED  
Legend & Border --- WHITE



P601x1

Before using this drawing, confirm that it has not been superseded.

<b>Department for Transport</b>	Title: Regulatory Sign  STOP SIGN	Issue:	Date:	Drawn by:	Dimensions:	Drawing No.  P 601.1
		A:	5.7.94	S.P.	MILLIMETRES	
		B:	8.7.04	Approved by:		
		C:	4.5.12	R.M.		