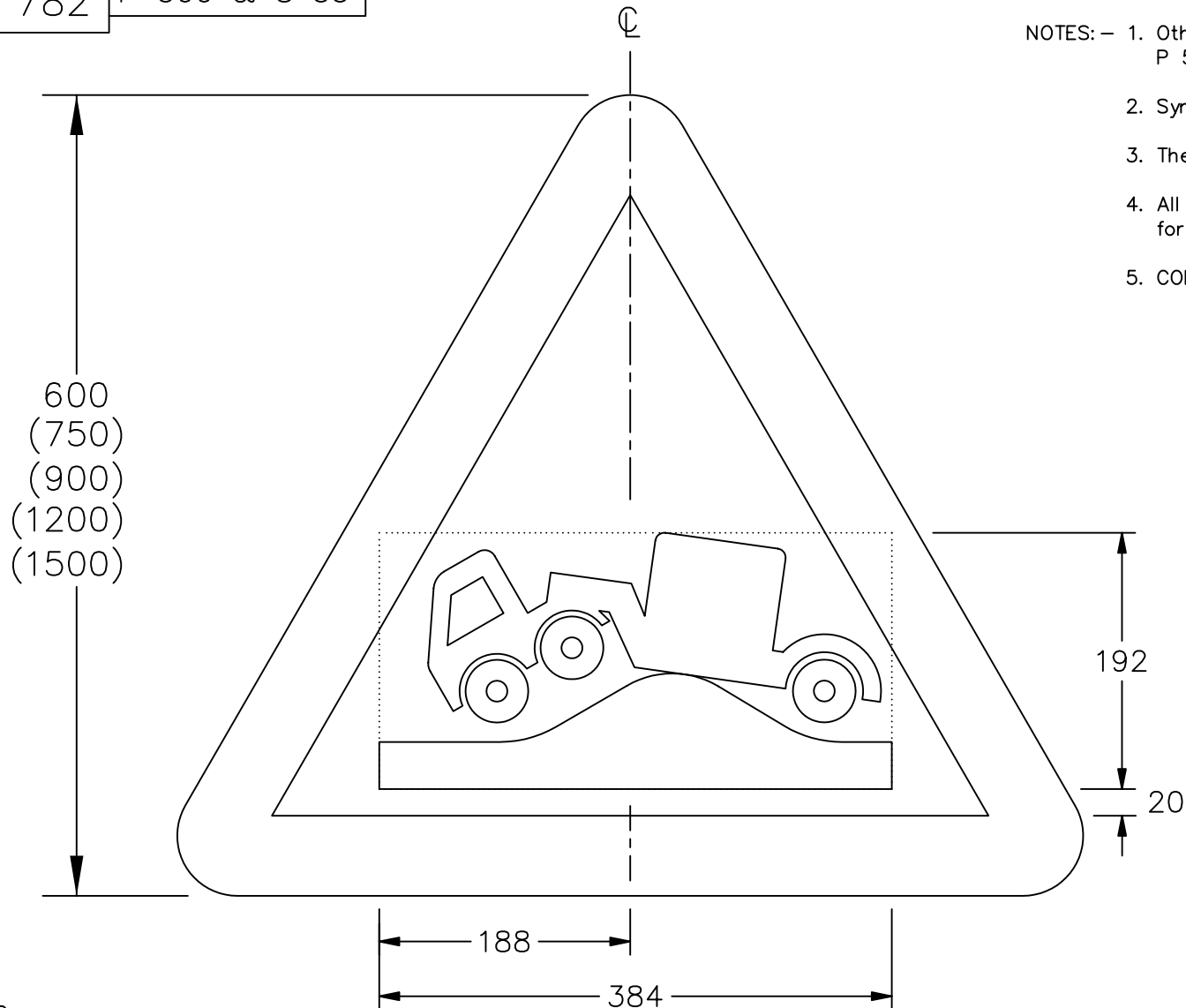


Drawing No.
P 782

Related Drawings
P 500 & S 33

© CROWN COPYRIGHT

- NOTES:—
1. Other dimensions for the triangle are shown on drawing P 500.
 2. Symbol details are given on drawing S 33.
 3. The tile outline does not form part of the sign.
 4. All 600mm sign dimensions shall be varied proportionally for the other triangle heights.
 5. COLOURS : Border ----- RED
Background ---- WHITE
Symbol ----- BLACK



P782

Before using this drawing, confirm that it has not been superseded.

Department for
Transport

Title: Warning Sign
RISK OF GROUNDING

Issue: Date: Drawn by:
A: 26.9.94 S.P.
B: 27.7.04 Approved by:
C: R.M.

Dimensions:
MILLIMETRES

Drawing No.
P 782