

Drawing No.  
P 788

Related Drawing  
S 41

Before using this drawing, confirm that it has not been superseded.

© CROWN COPYRIGHT

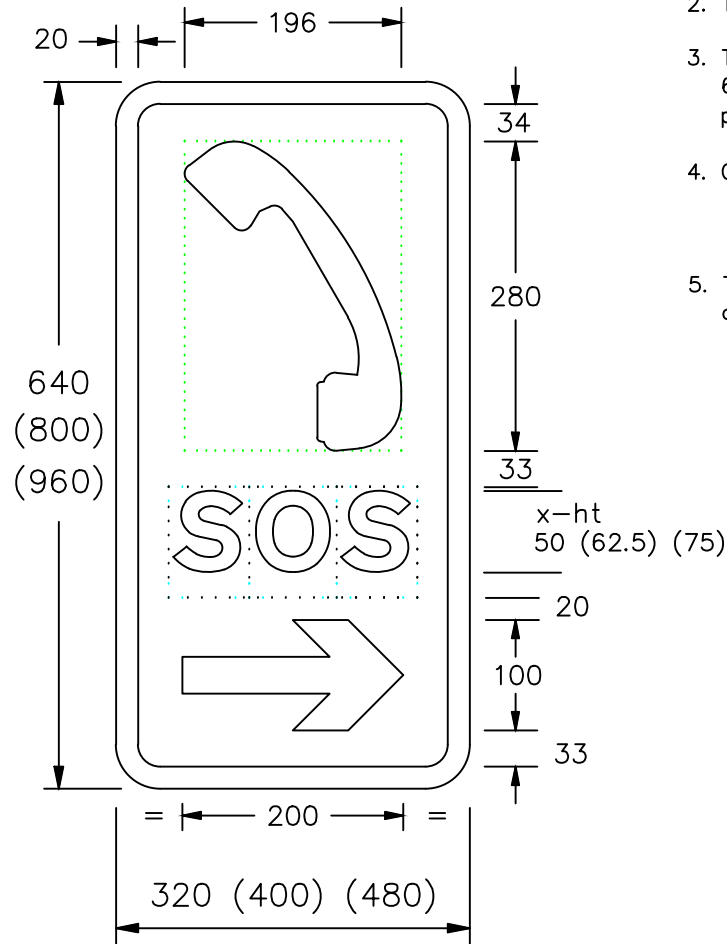
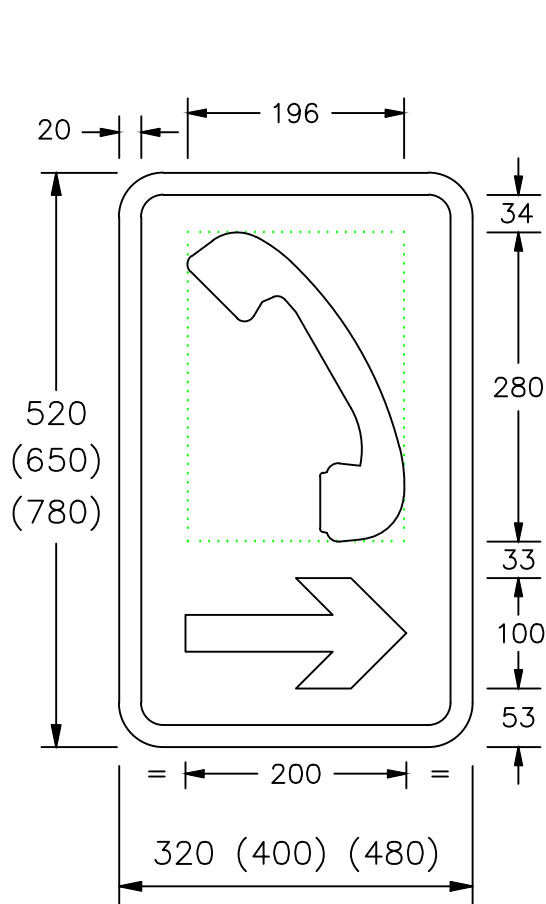
NOTES: 1. Details of the telephone symbol are given on drawing S 41 (Tile A).

2. The tile outlines do not form part of the signs.

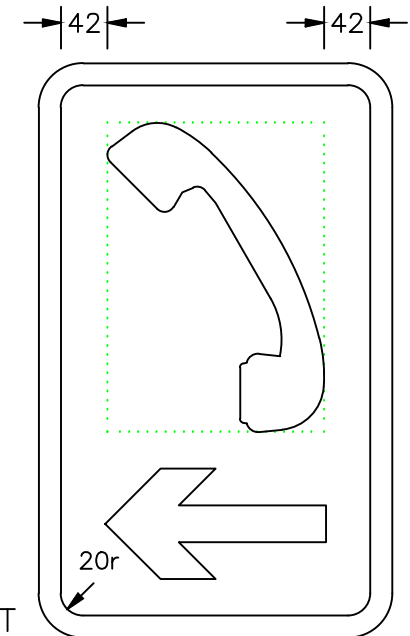
3. The sizes given for the 520mm x 320mm and 640mm x 320mm signs shall be varied proportionally for the other sign sizes.

4. COLOURS : Background ----- YELLOW  
Symbol, Border & Arrow --- BLACK  
SOS legend ----- BLACK

5. The legend is from the Transport Heavy alphabet at the x-heights shown.



VARIANT



VARIANT

P788

Department for  
**Transport**

Title: Informatory Signs  
DIRECTION TO EMERGENCY  
TELEPHONE NEAR LEVEL CROSSING

Issue: Date:  
A: 27.9.94  
B: 28.7.04  
C: 11.11.11

Drawn by :  
S.P.  
Approved by :  
R.M.

Dimensions :  
MILLIMETRES

Drawing No.  
P 788