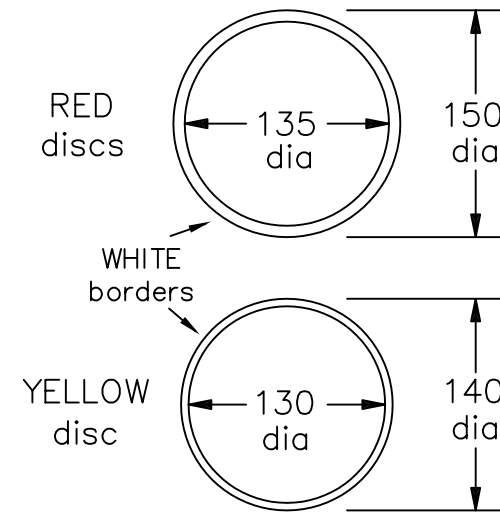
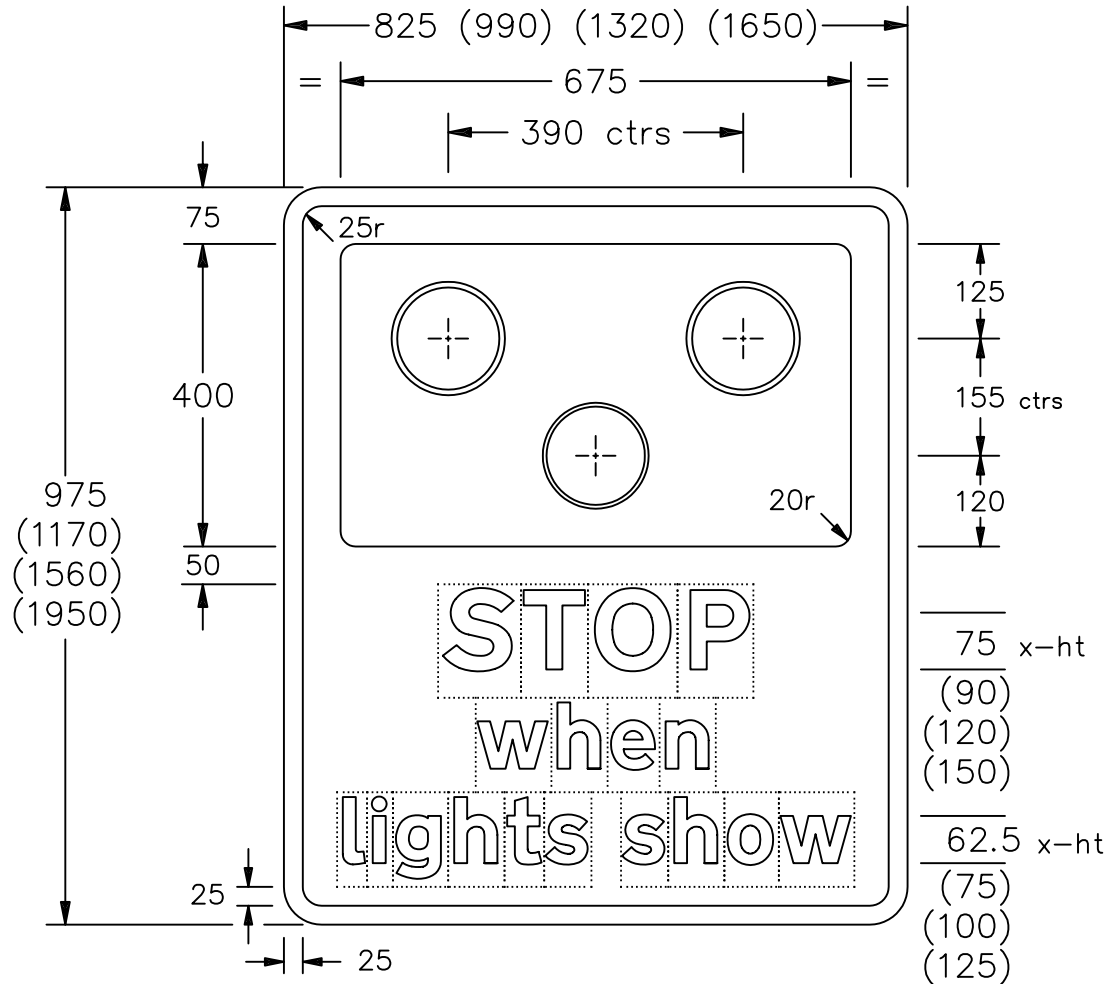


- NOTES:— 1. All dimensions for the larger signs are proportional to the sizes shown for the smallest sign.
2. The legends are from the Transport Heavy alphabet at the x-heights shown.
3. The tile outlines do not form part of the sign.
4. COLOURS : Sign Background ----- WHITE  
 Legends & Border ---- BLACK  
 Panel ----- BLACK  
 Disc Borders ----- WHITE  
 Upper Discs ----- RED  
 Lower Disc ----- YELLOW
5. See sheet 2 for variants.



P773-1

Before using this drawing, confirm that it has not been superseded.

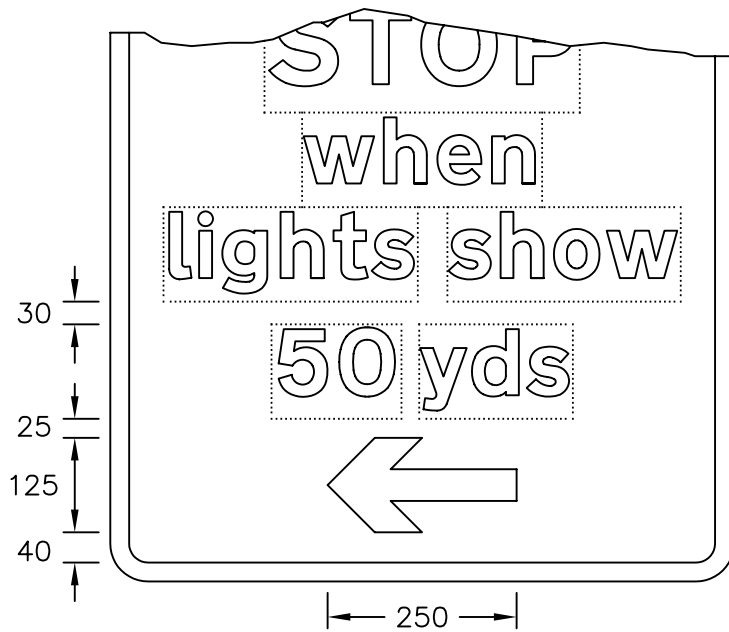
<p><i>Department for</i> <b>Transport</b></p>	<p>Title: Warning Sign LEVEL CROSSING STOP when lights show</p>	Issue: A:	Date: 19.9.94	Drawn by: S.P.	Dimensions: MILLIMETRES	Drawing No. P 773 sheet 1 of 2
		B:	7.7.03	Approved by: R.M.		

NOTES:— 1. Dimensions shown are for the smallest size of sign.  
For other dimensions see sheet 1.

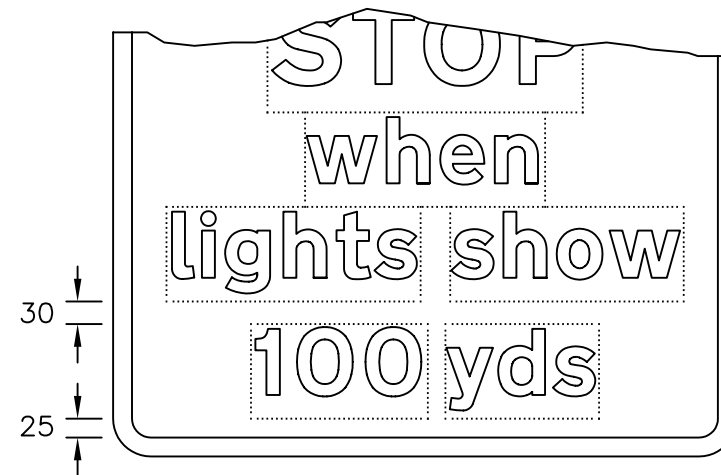
2. The legends are from the Transport Heavy alphabet  
at the x-heights shown on sheet 1.

3. The tile outlines do not form part of the sign.

4. COLOURS : Sign Background ----- WHITE  
Legend, Arrow & Border --- BLACK



VARIANT



VARIANT

P773-2

Before using this drawing, confirm  
that it has not been superseded.

<p><i>Department for</i> <b>Transport</b></p>	<p>Title:</p>	<p>Warning Sign</p>	<p>Issue:</p>	<p>Date:</p>	<p>Drawn by:</p>	<p>Dimensions:</p>	<p>Drawing No.</p>
		<p>LEVEL CROSSING</p>	<p>A: 19.9.94</p>	<p>L.W.</p>	<p>MILLIMETRES</p>	<p>P 773 sheet 2 of 2</p>	
		<p>STOP when lights show</p>	<p>B: 7.7.03</p>	<p>Approved by:</p>			
			<p>C:</p>	<p>R.M.</p>			