

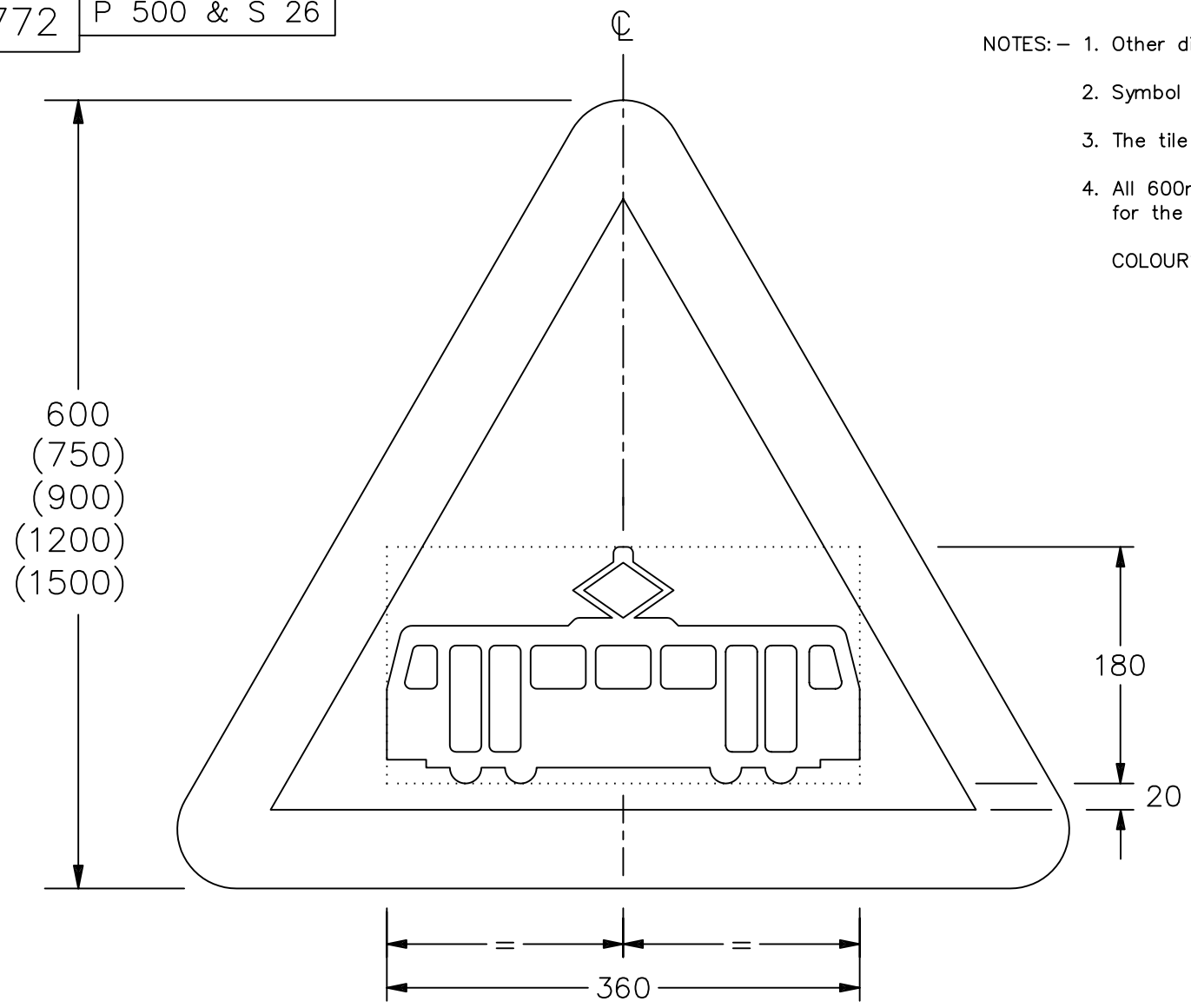
Drawing No.
P 772

Related Drawings
P 500 & S 26

© CROWN COPYRIGHT

- NOTES:— 1. Other dimensions for the triangle are shown on P 500.
2. Symbol details are given on drawing S26.
3. The tile outlines do not form part of the sign.
4. All 600mm sign dimensions shall be varied proportionally for the other triangle heights.

COLOURS : Border ----- RED
Background ---- WHITE
Symbol ----- BLACK



P772

Before using this drawing, confirm that it has not been superseded.

Department for Transport	Title:	Warning Sign	Issue:	Date:	Drawn by:	Dimensions:	Drawing No.
		TRAMCARS CROSSING AHEAD	A:	19.9.94	S.P.	MILLIMETRES	P 772
			B:	8.7.03	Approved by:		
			C:		R.M.		