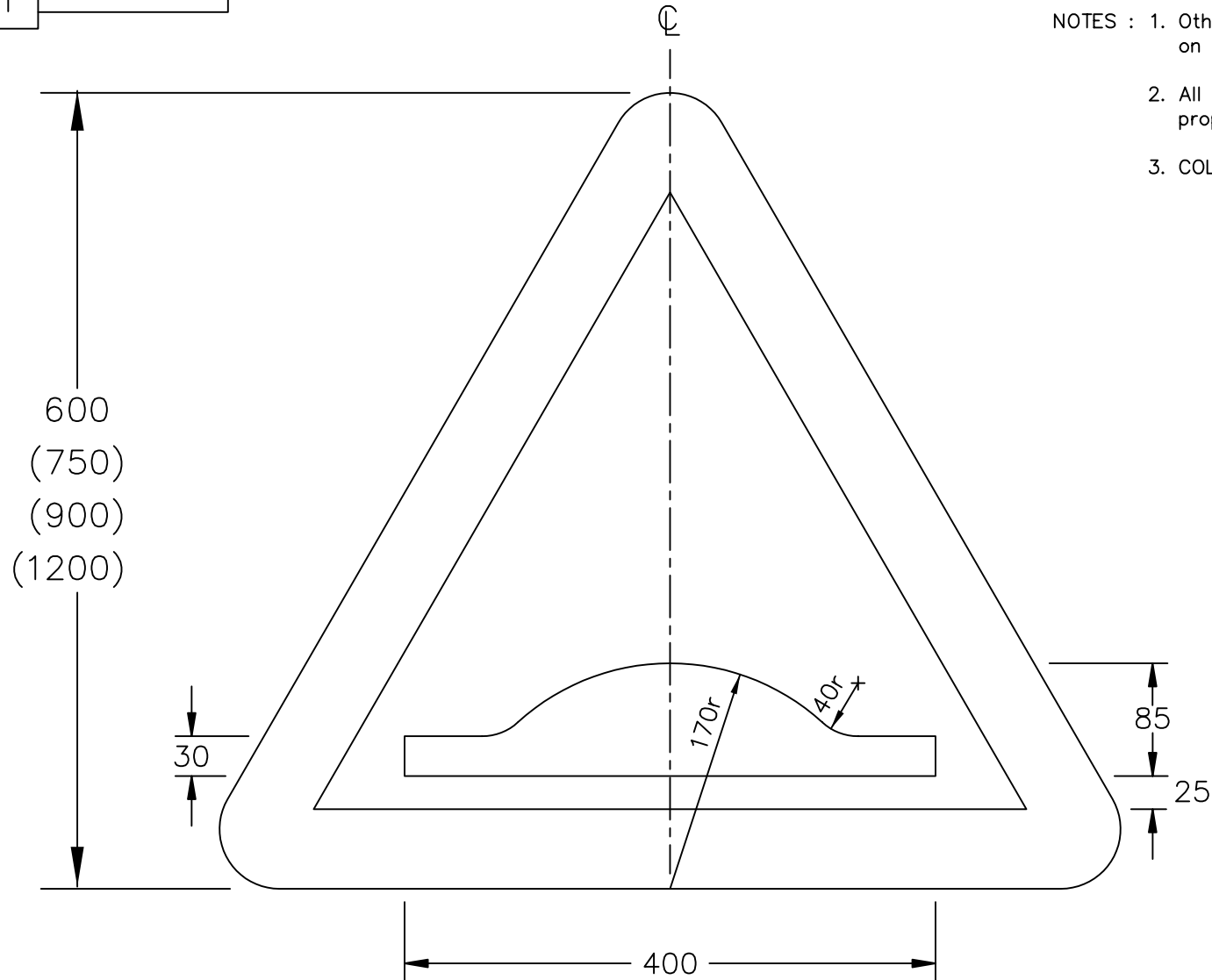


Drawing No.  
P 557.1

Related Drawing  
P 500

© CROWN COPYRIGHT

- NOTES : 1. Other dimensions for the triangle are shown on drawing P 500.
2. All 600mm sign dimensions shall be varied proportionally for the other triangle heights.
3. COLOURS : Border ----- RED  
Background ---- WHITE  
Symbol ----- BLACK



P557x1

Before using this drawing, confirm that it has not been superseded.

<b>Department for Transport</b>	Title:	Warning Sign	Issue:	Date:	Drawn by:	Dimensions:	Drawing No.
		ROAD HUMP AHEAD	A:	28.6.94	S.P.	MILLIMETRES	P 557.1
		or series of humps ahead	B:	7.7.04	Approved by:		
			C:		R.M.		