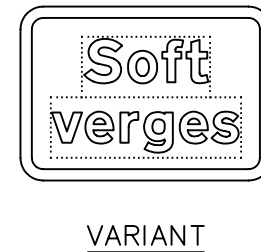
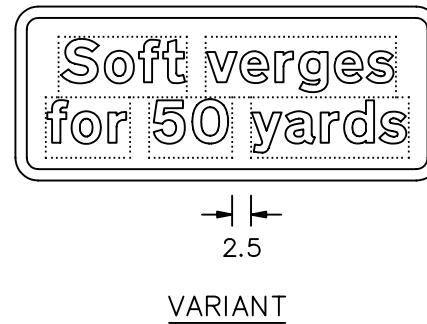
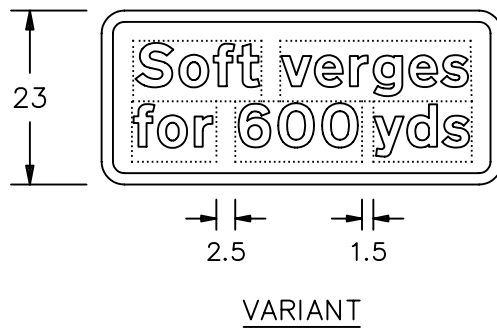
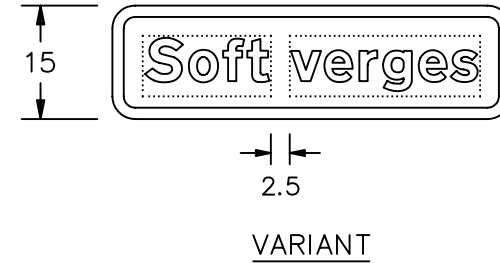
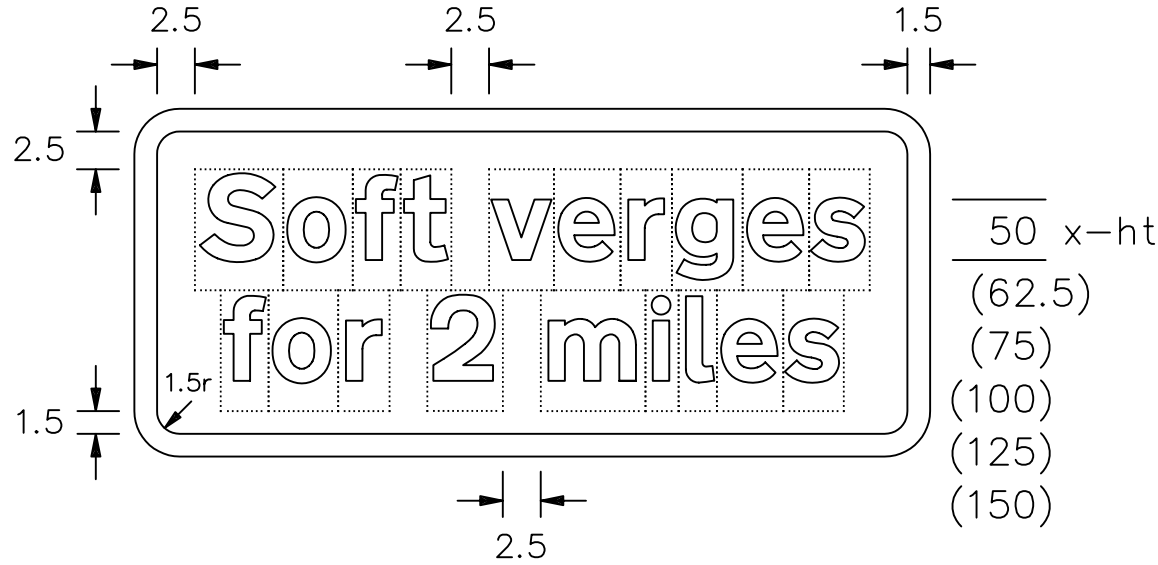


Drawing No.
P 556.2

© CROWN COPYRIGHT

- NOTES:-
1. The legend is from the Transport Heavy alphabet at the x-heights shown.
 2. The tile outlines do not form part of the signs.
 3. COLOURS : Background ----- WHITE
Legend & Border ---- BLACK
 4. DIMENSIONS : x-heights are in millimetres, other dimensions are in stroke widths. (4sw = x-height)



P556x2

Before using this drawing, confirm that it has not been superseded.

Department for
Transport

Title: Warning Signs
SUPPLEMENTARY PLATES
FOR USE WITH P 556.1

Issue: Date: Drawn by:
A: 29.6.94 R.M.
B: 13.11.02 Approved by:
C: R.M.

Dimensions:
SEE
NOTE 4

Drawing No.
P 556.2