

Drawing No.
P 523.1

Related Drawing
P 500

© CROWN COPYRIGHT

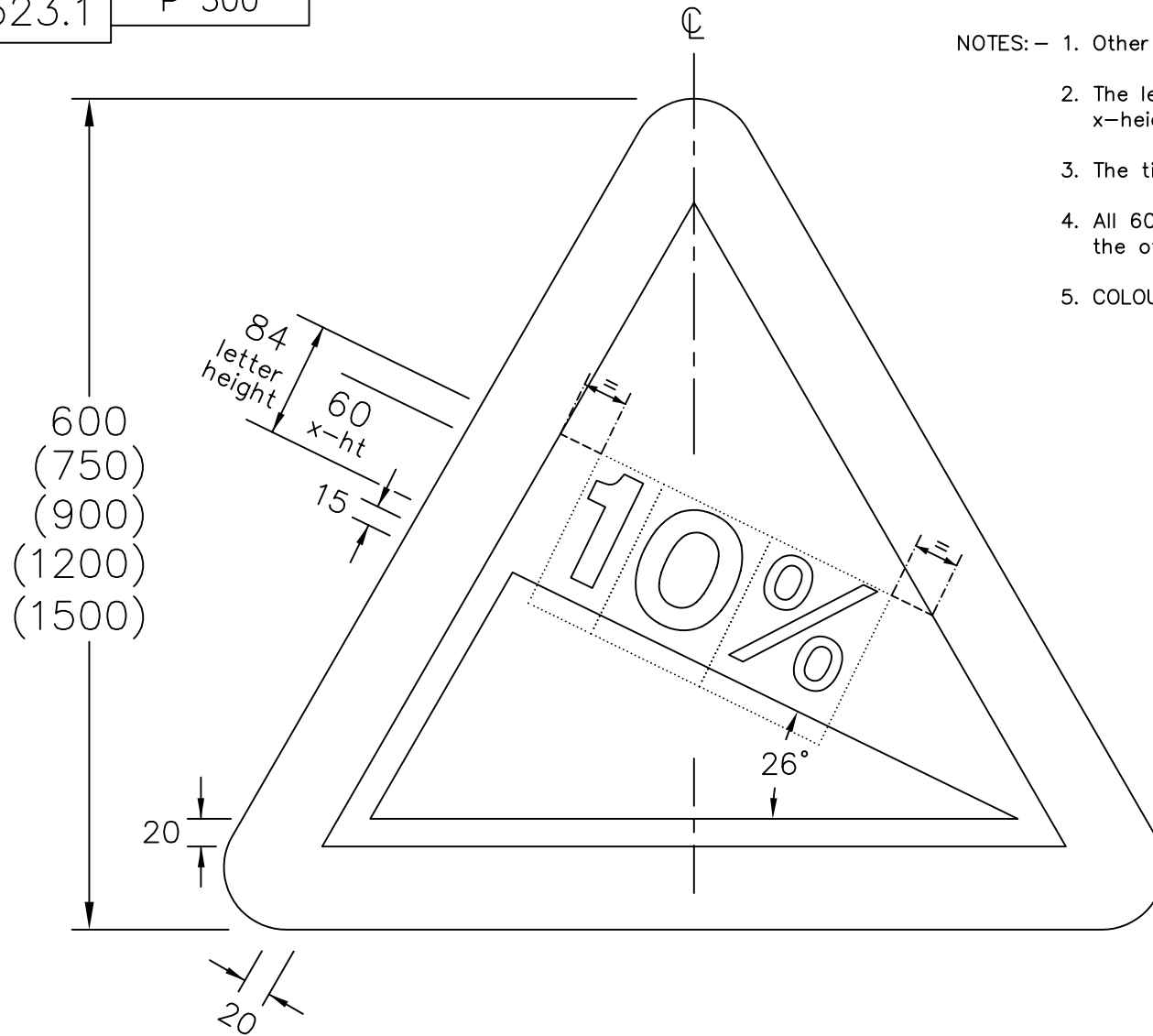
NOTES:- 1. Other dimensions for the triangle are shown on drawing P 500.

2. The legend is from the Transport Heavy alphabet at the x-height shown.

3. The tile outlines do not form part of the sign.

4. All 600mm sign dimensions shall be varied proportionally for the other triangle heights.

5. COLOURS : Border ----- RED
Background ----- WHITE
Legend & Symbol --- BLACK



P523x1

Before using this drawing, confirm that it has not been superseded.

Department for
Transport

Title: Warning Sign
STEEP HILL DOWNWARDS AHEAD

Issue: Date :
A: 22.6.94
B: 15.06.04
C:

Drawn by : S.P.
Approved by : R.M.

Dimensions:
MILLIMETRES

Drawing No.
P 523.1