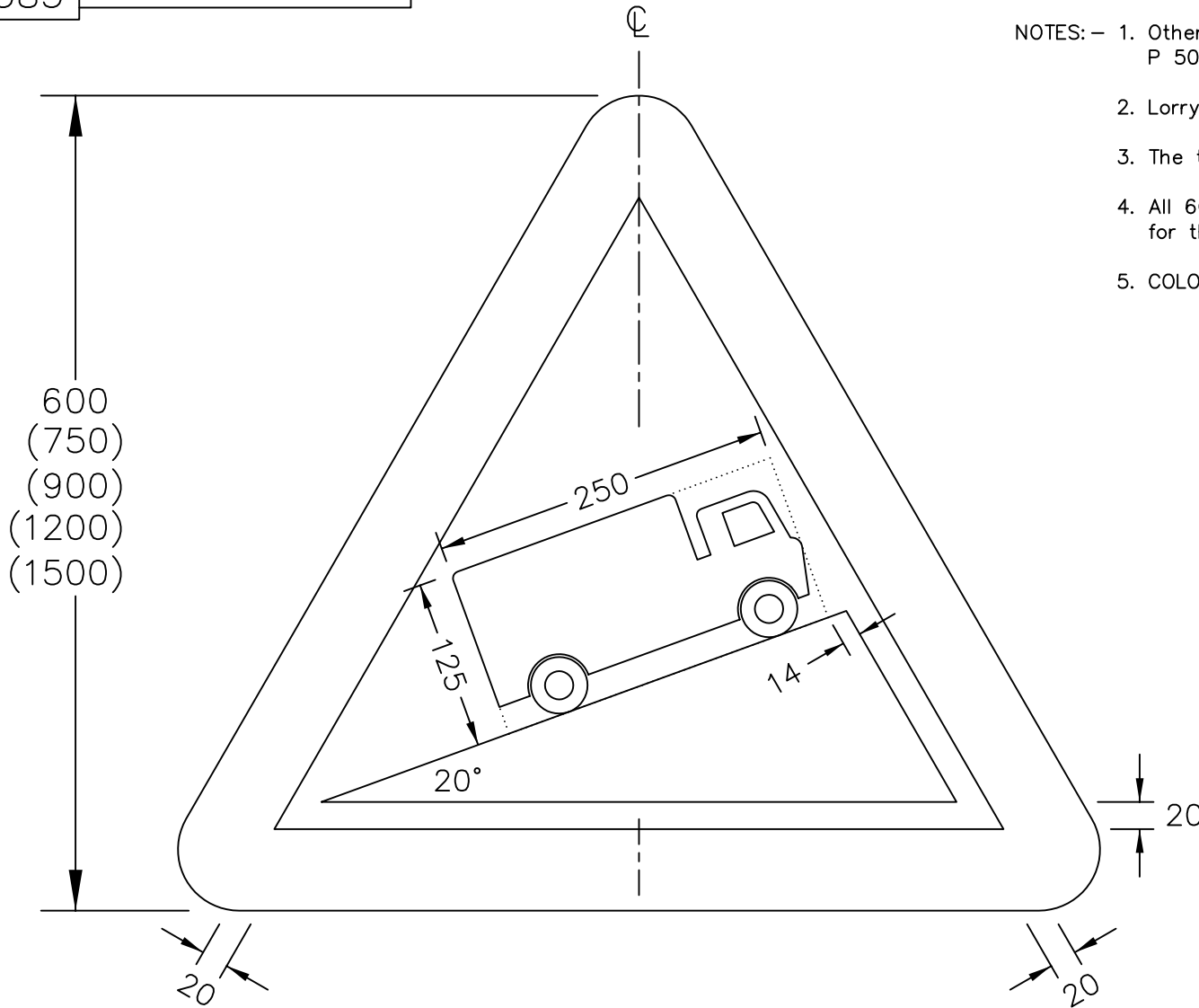


Drawing No.
P 583

Related Drawings
P 500 & S 32 sheet 1

© CROWN COPYRIGHT

- NOTES:— 1. Other dimensions for the triangle are shown on drawing P 500.
2. Lorry symbol details are given on drawing S 32 sheet 1.
3. The tile outline does not form part of the sign.
4. All 600mm sign dimensions shall be varied proportionally for the other triangle heights.
5. COLOURS : Border ----- RED
Background ---- WHITE
Symbols ----- BLACK



P583

Before using this drawing, confirm that it has not been superseded.

Department for
Transport

Title: Warning Sign
SLOW MOVING VEHICLES
LIKELY ON INCLINE AHEAD

Issue: Date: Drawn by:
A: 29.6.94 S.P.
B: 7.7.04 Approved by:
C: R.M.

Dimensions:
MILLIMETRES

Drawing No.
P 583