



GT50/066/0008

**ROAD TRAFFIC REGULATION ACT 1984 – SECTIONS 64 AND 65
AUTHORISATION OF TRAFFIC SIGNS AND SPECIAL DIRECTIONS**

The Secretary of State for Transport, in exercise of his powers under Sections 64 and 65 of the Road Traffic Regulation Act 1984, and of all other powers enabling him in that behalf, for the purpose of informing road users of contra-flow cycling on Tichborne Street and Regent Street, Leicester, hereby:-

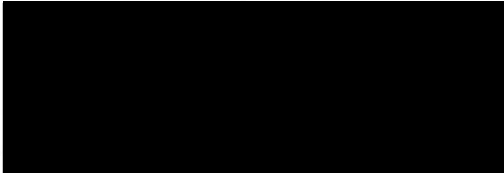
1. authorises the erection at or within 5 metres of the sites shown schematically in the attached set of plans numbered GT50/066/0008-1 of a traffic sign (hereinafter referred to as “the authorised sign”) conforming as to size, colour and character with that shown on the attached drawing numbered NP 960.2; and
2. directs that, notwithstanding the provisions of Direction 18 of the Traffic Signs General Directions 2002 (Part II of SI 2002/3113), the authorised sign may be used with the road marking shown in diagram 1057 in Schedule 6 to the Traffic Signs Regulations 2002 (Part I of SI 2002/3113, “the 2002 Regulations”); and
3. directs that it is a condition of this authorisation that the authorised sign may be placed only to indicate the effect of a corresponding Traffic Regulation Order; and
4. directs, without prejudice to any statutory provision to the like effect, that it is a condition of this authorisation that the erection of the authorised sign at or near the said sites shall continue to have effect only until such day as may be appointed by one month’s notice given by the Secretary of State in writing to the traffic authority for the removal or alteration of the authorised sign and on that day the said authorisation shall, without prejudice to the giving of any further authorisation or direction, cease to have effect.



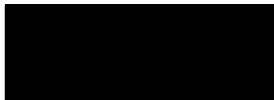
GT50/066/008

The provisions of Regulations 12, 18 and 19 of the 2002 Regulations shall apply to the authorised sign in the same manner as they apply to the sign shown in diagram 960.1 in Schedule 5 to those Regulations.

Dated 23 May 2011
Signed by authority of the Secretary of State



.....
A Delegated Official of the Department for Transport

CERTIFIED TRUE COPY

27/5/2011
DEPARTMENT FOR TRANSPORT

Drawing No.
NP 960.2

Related Drawing
S 24

© CROWN COPYRIGHT. This drawing must NOT be reproduced.

- NOTES: - 1. Details of the cycle symbol are on dwg. S 24.
 2. The outline of the tile does not form part of the sign.
 3. COLOURS: - BS.873:Part 6
 Symbol, Border and Arrows ----- WHITE
 Background ----- BLUE
 4. Dimensions are shown in stroke widths (one quarter of notional x-heights). The Table of Sign Sizes shows the actual sign sizes in millimetres.

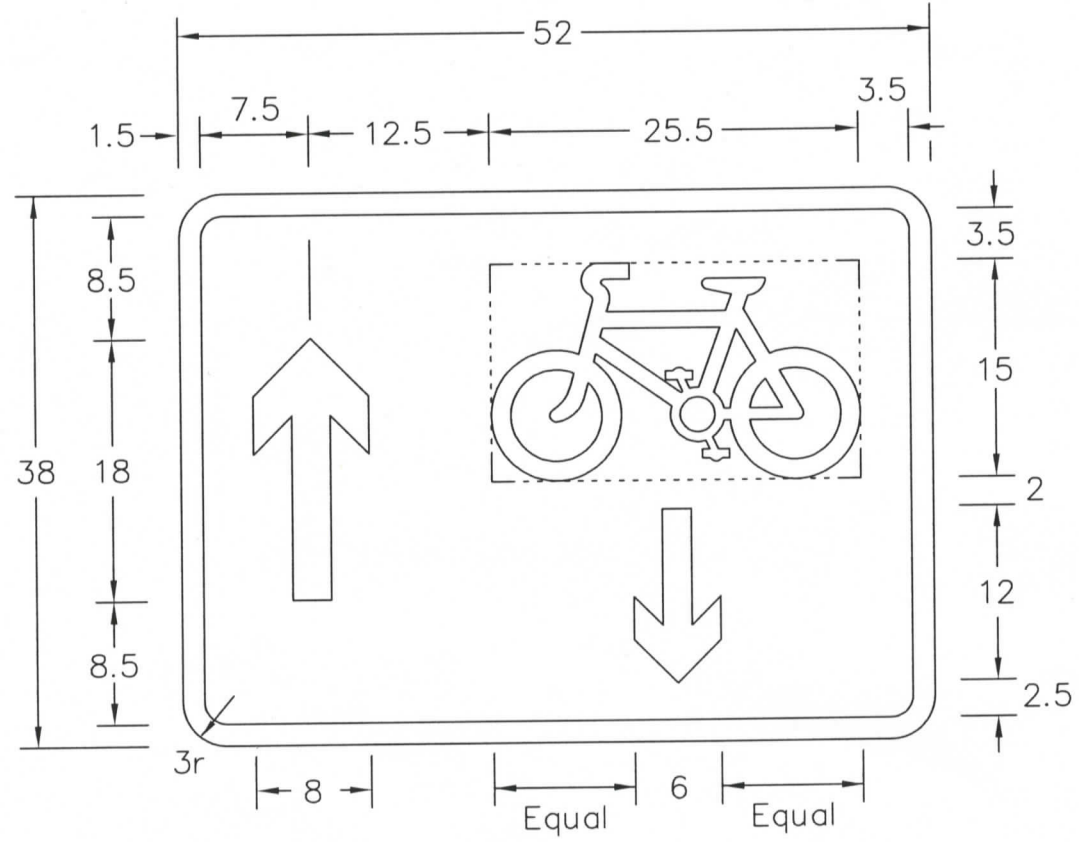


TABLE OF SIGN SIZES (mm)		
Stroke Widths	12.5	15
Width of Sign	650	780
Height of Sign	475	570

NP960x2

Before using this drawing, confirm that it has not been superseded.



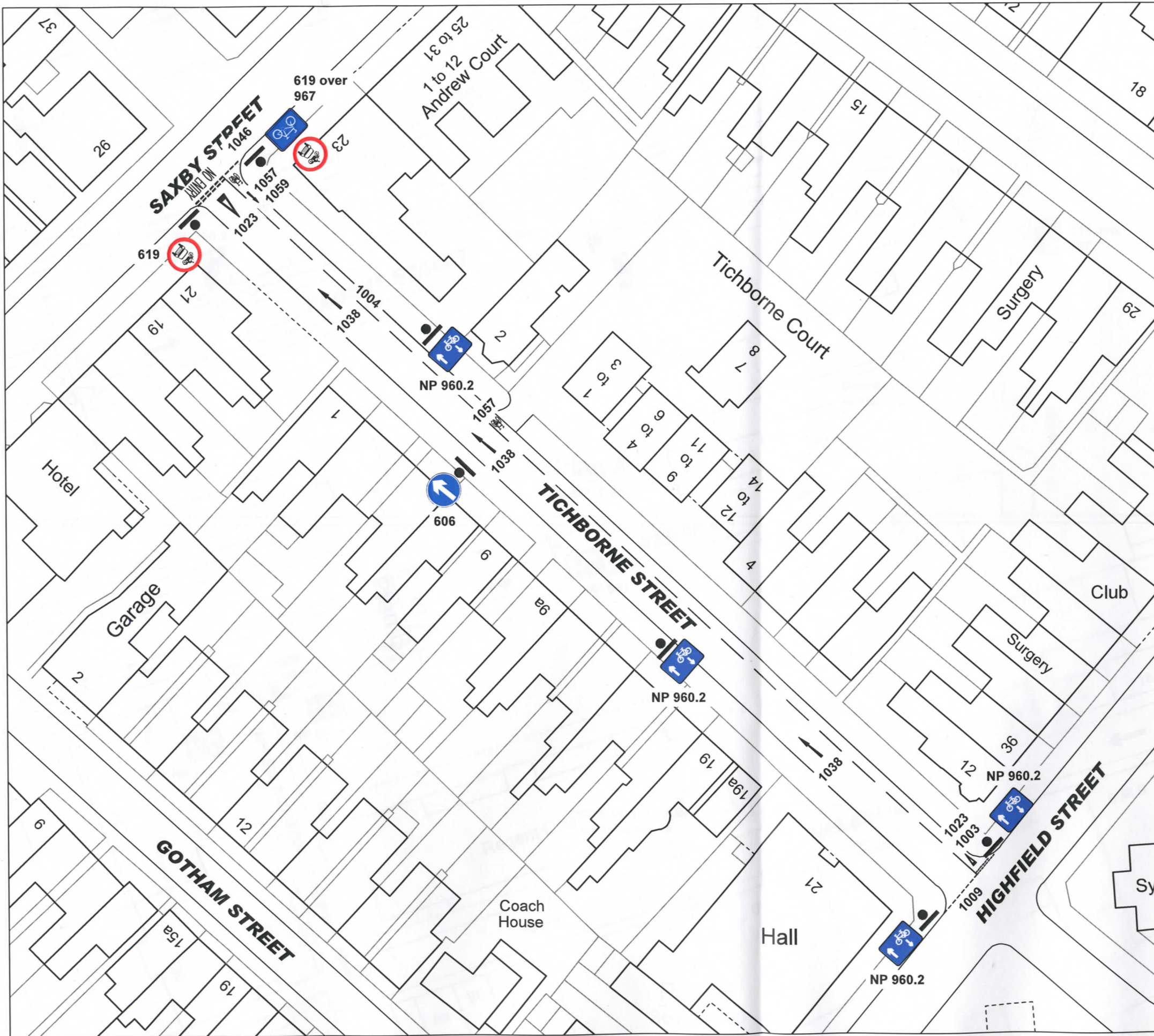
Title: Regulatory Sign
CONTRA-FLOW CYCLES

Issue: Date:
 A: 5.12.95
 B:
 C:

Drawn by: R.M.
 Approved by: R.M.

Dimensions: SEE NOTE 4

Drawing No. NP 960.2



Drawing Number

Notes

Department for Transport
 Date 19/5/2011
 No. GTS9/066/2008-1

Revision	Amendment	Date
----------	-----------	------

Leicester City Council

Regeneration, Highways & Transportation Division

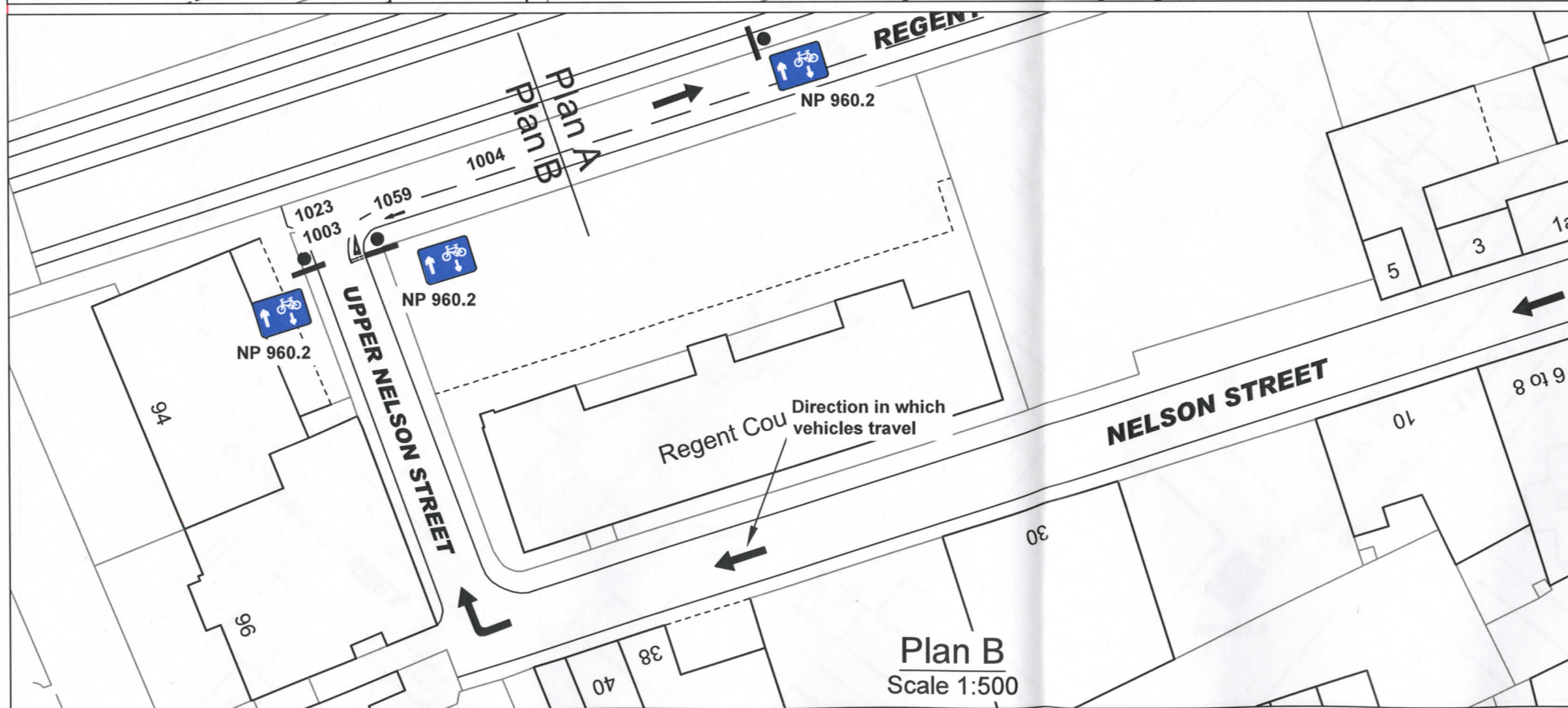
CLIENT
 Project Management

TITLE
**Contraflow Cycle Route
 Tichborne Street**

DRAWING No.	REV	SCALE	
CONTRA/002	C	1:500	
DRAWN BY	VKB	DATE	13/10/2010
CHECKED		SIZE	A3
ACAD FILE		UPRN	

Drawing Number

Notes



Revision	Amendment	Date
----------	-----------	------



Regeneration, Highways & Transportation Division

CLIENT
Project Management

TITLE
Contraflow Cycle Route
Regent Street

DRAWING No.	REV	SCALE
CONTRA/001	D	1:500
DRAWN BY	VKB	DATE
CHECKED		SIZE
ACAD FILE		UPRN

13/10/2010

A3