



GT50/026/0005

**ROAD TRAFFIC REGULATION ACT 1984 – SECTIONS 64 AND 65
AUTHORISATION OF TRAFFIC SIGNS AND SPECIAL DIRECTIONS**

The Secretary of State for Transport, in exercise of his powers under Sections 64 and 65 of the Road Traffic Regulation Act 1984, and of all other powers enabling him in that behalf, for the purpose of informing road users of verge and footway parking prohibitions on roads for which Cornwall County Council is the highway authority, hereby:-

1. authorises the erection at appropriate sites on the said roads of a traffic sign (hereinafter referred to as "the authorised sign A") conforming as to size, colour and character with that shown at "A" on the attached drawing numbered NP 428.1; save that the words "motor vehicle" may be omitted, and the words "verge or", or "or footway" may be omitted; and
2. authorises the erection at the said sites of a traffic sign (hereinafter referred to as "the authorised sign B") conforming as to size, colour and character with that shown at "B" on the said drawing; and
3. authorises the erection at the said sites of a traffic sign (hereinafter referred to as "the authorised sign C") conforming as to size, colour and character with that shown on the attached drawing numbered NP 428.2; and
4. directs that it is a condition of this authorisation that the authorised sign A, the authorised sign B and the authorised sign C may be placed only to indicate the effect of a corresponding Traffic Regulation Order; and



GT50/026/0005

5. directs, without prejudice to any statutory provision to the like effect, that it is a condition of this authorisation that the erection at the said sites of the authorised sign A, the authorised sign B, and the authorised sign C shall continue to have effect only until such day as may be appointed by one month's notice given by the Secretary of State in writing to the traffic authority for the removal or alteration of the authorised sign A, the authorised sign B and the authorised sign C and on that day the said authorisation shall, without prejudice to the giving of any further authorisation or direction, cease to have effect.

The provisions of Regulation 12, 18 and 19 of the Traffic Signs Regulations 2002 (Part I of SI 2002/3113, "the 2002 Regulations") shall apply to the authorised sign A in the same manner as they apply to the sign shown in diagram 663 in Schedule 2 to those Regulations.

The provisions of Regulation 12, 18 and 19 of the 2002 Regulations shall apply to the authorised sign B in the same manner as they apply to the sign shown in diagram 664 in Schedule 2 to those Regulations.

The provisions of Regulation 12, 18 and 19 of the 2002 Regulations shall apply to the authorised sign C in the same manner as they apply to the sign shown in diagram 668 in Schedule 2 to those Regulations.

This authorisation is issued in addition to any previous authorisation sent to this highway authority in respect of verge and footway parking prohibition.

Dated 18 February2011

Signed by authority of the Secretary of State



.....
A Grade 7 Official of the Department for Transport

CERTIFIED TRUE COPY



DEPARTMENT FOR TRANSPORT

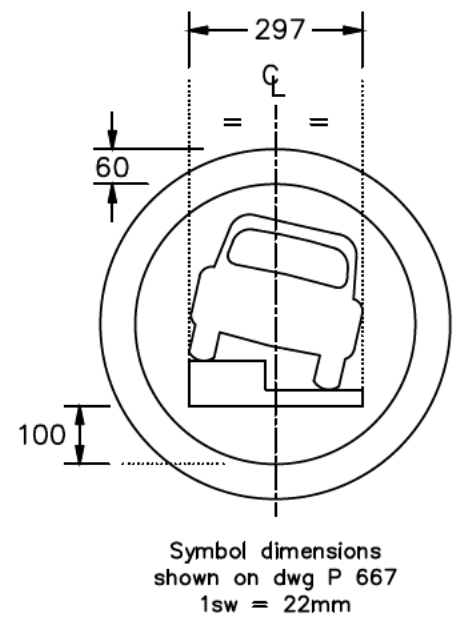
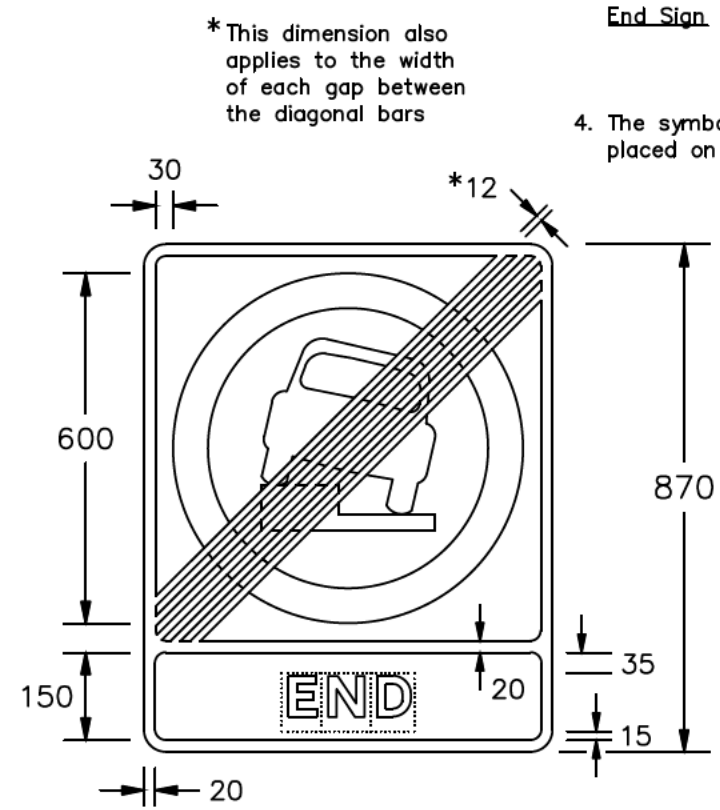
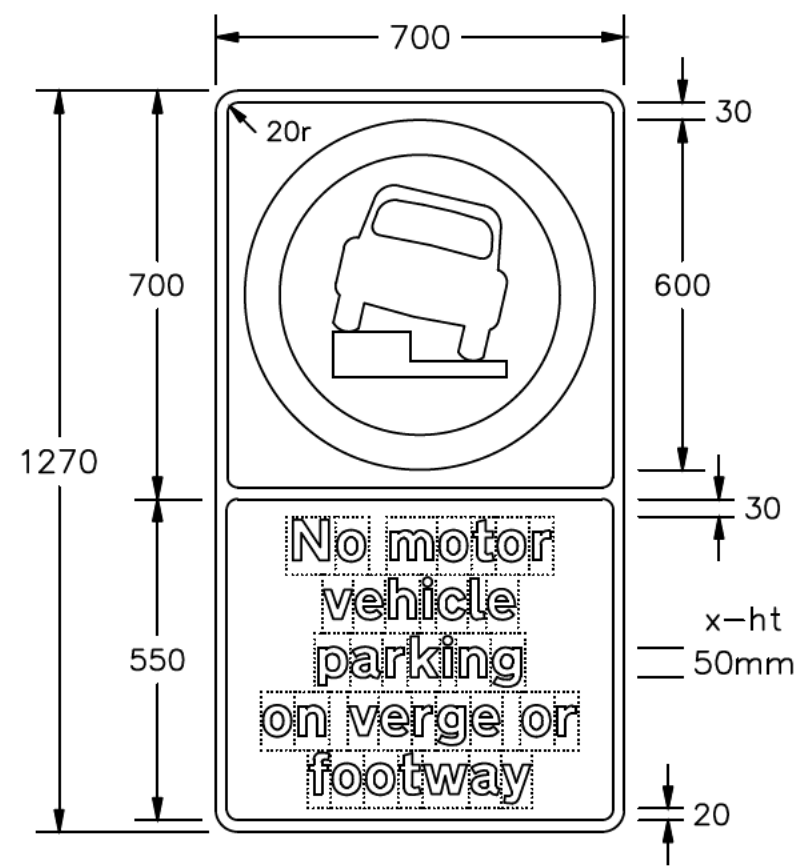
Drawing No.
NP 428.1
 Sheet 1 of 2

Related Drawing
P 667

Before using this drawing, confirm
 that it has not been superseded.

© CROWN COPYRIGHT

- NOTES: 1. The legend is from the Transport Heavy alphabet at the x-height shown.
2. The tile outlines do not form part of the signs.
3. COLOURS : Backgrounds ----- WHITE
 Start Sign Legend, Border & Symbol ----- BLACK
 Roundel ----- RED
- End Sign Legend, Border & Cancellation Bars ----- BLACK
 Roundel & Symbol ----- GREY
4. The symbol shall be reversed when the signs are placed on the right hand side of the carriageway.



NP428x1-1

Department for Transport

Title: **Regulatory Signs**
START AND END OF FOOTWAY PARKING PROHIBITION

Issue: A: 16.6.05
 B: 18.2.11
 C:

Drawn by: A.K.
 Approved by: J.B.

Dimensions: **MILLIMETRES**

Drawing No. **NP 428.1**
 Sheet 1 of 2

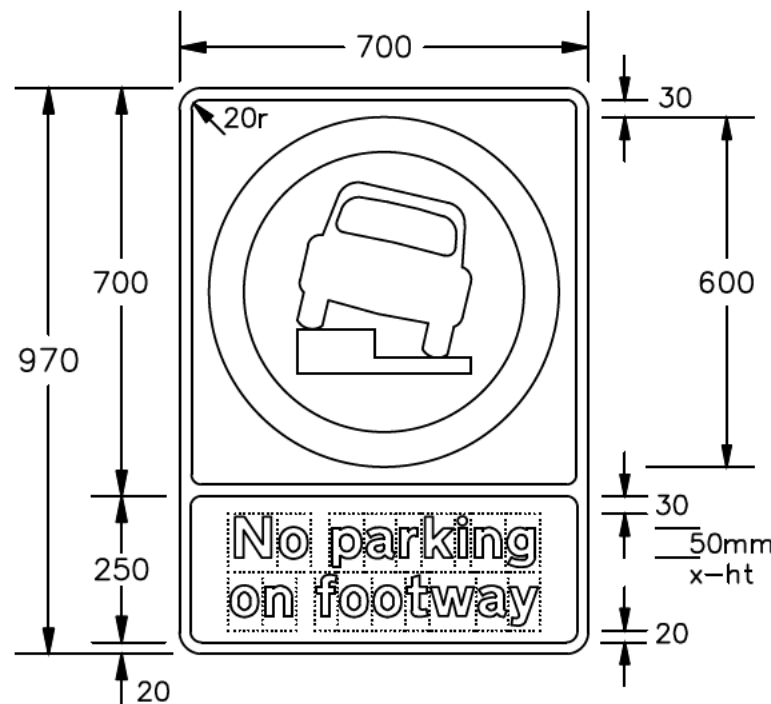
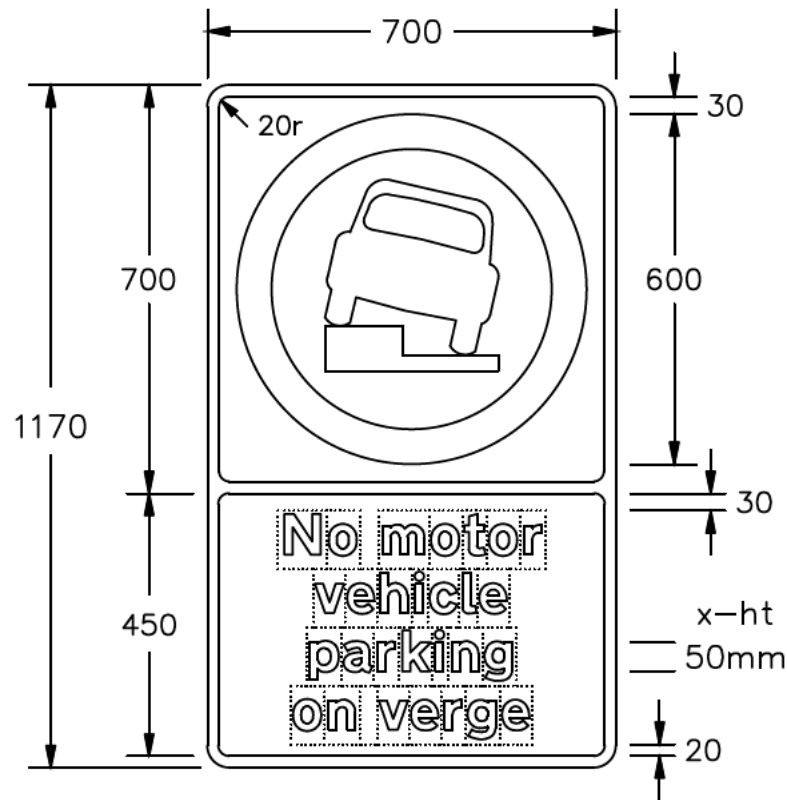
Drawing No.
NP 428.1
 Sheet 2 of 2

Related Drawing
P 667

Before using this drawing, confirm that it has not been superseded.

© CROWN COPYRIGHT

- NOTES: 1. The legend is from the Transport Heavy alphabet.
 2. The tile outlines do not form part of the signs.
 3. COLOURS : Backgrounds ----- WHITE
Start Sign Legend, Border & Symbol ----- BLACK
 Roundel ----- RED
 4. The symbol shall be reversed when the signs are placed on the right hand side of the carriageway.



NP428x1-2

Department for Transport	Title: Regulatory Signs	Issue: A: 16.6.05 B: 18.2.11 C:	Date: A.K. Approved by: J.B.	Dimensions : MILLIMETRES	Drawing No. NP 428.1 Sheet 2 of 2
	START AND END OF FOOTWAY PARKING PROHIBITION				

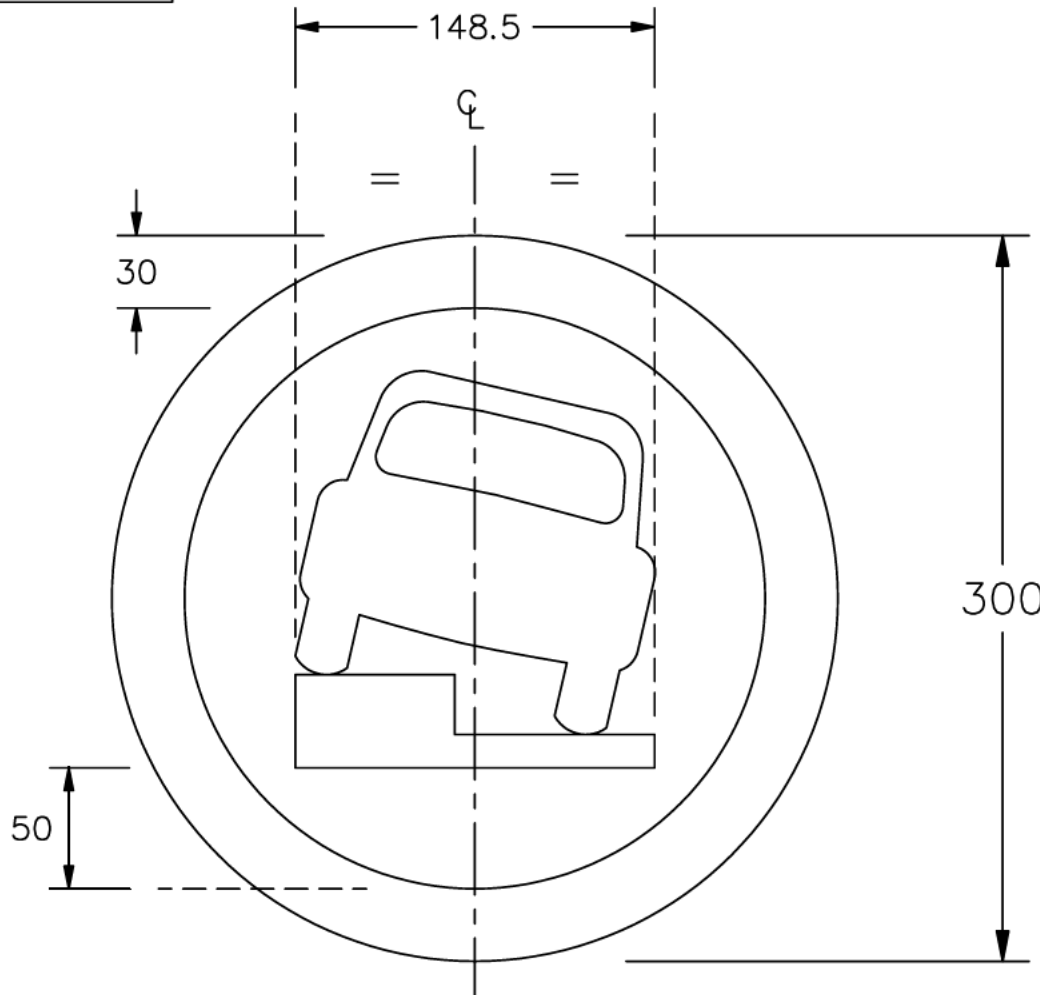
Drawing No.
NP 428.2

Related Drawing
P 667

© CROWN COPYRIGHT

NOTES: 1. COLOURS : Background --- WHITE
Symbol ----- BLACK
Border ----- RED

2. The symbol shall be reversed when the signs are placed on the right hand side of the carriageway.



Symbol dimensions
shown on dwg P 667
1sw = 11mm

Before using this drawing, confirm
that it has not been superseded.

NP428x2

**Department for
Transport**

Title: Regulatory Sign
FOOTWAY PARKING PROHIBITION
REPEATER SIGN

Issue: Date: Drawn by:
A: 5.7.05 R.M.
B:
C:

Approved by:
R.M.

Dimensions:
MILLIMETRES

Drawing No.
NP 428.2