



GT50/90/0005

**ROAD TRAFFIC REGULATION ACT 1984 – SECTIONS 64 AND 65
AUTHORISATION OF TRAFFIC SIGNS AND SPECIAL DIRECTIONS**

The Secretary of State for Transport, in exercise of his powers under Sections 64 and 65 of the Road Traffic Regulation Act 1984, and of all other powers enabling him in that behalf, on roads for which the London Borough of Merton is the traffic authority, hereby:-

1. authorises the erection, at appropriate sites on the said roads, of a traffic sign (hereinafter referred to as “the authorised sign”) conforming as to size, colour and character with the sign shown in the attached set of drawings numbered GT50/90/0005-1 save that the element incorporating the sign to diagram 610, as shown in the said set of drawings, may be varied to incorporate a sign to diagram 606, 611 or 616 in Schedule 2 or diagram 951, 955, 956 or 957 in Schedule 5 to the Traffic Signs Regulations 2002 (Part I of SI 2002/3113, “the 2002 Regulations”); and
2. directs, without prejudice to any statutory provision to the like effect, that it is a condition of this authorisation that the erection of the authorised sign at or near the said sites shall continue to have effect only until such day as may be appointed by one month's notice given by the Secretary of State in writing to the traffic authority for the removal or alteration of the authorised sign and on that day the said authorisation shall, without prejudice to the giving of any further authorisation or direction, cease to have effect.

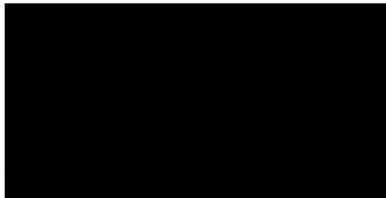


GT50/90/0005

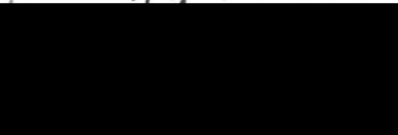
The provisions of Regulations 12, 18 and 19 of the 2002 Regulations shall apply to the roundel incorporated in the authorised sign in the same manner as they apply to the same sign shown in diagrams 606, 611 or 616 in Schedule 2 or diagrams 951, 955, 956 or 957 in Schedule 5 to those Regulations.

Dated..... *23 June* 2011

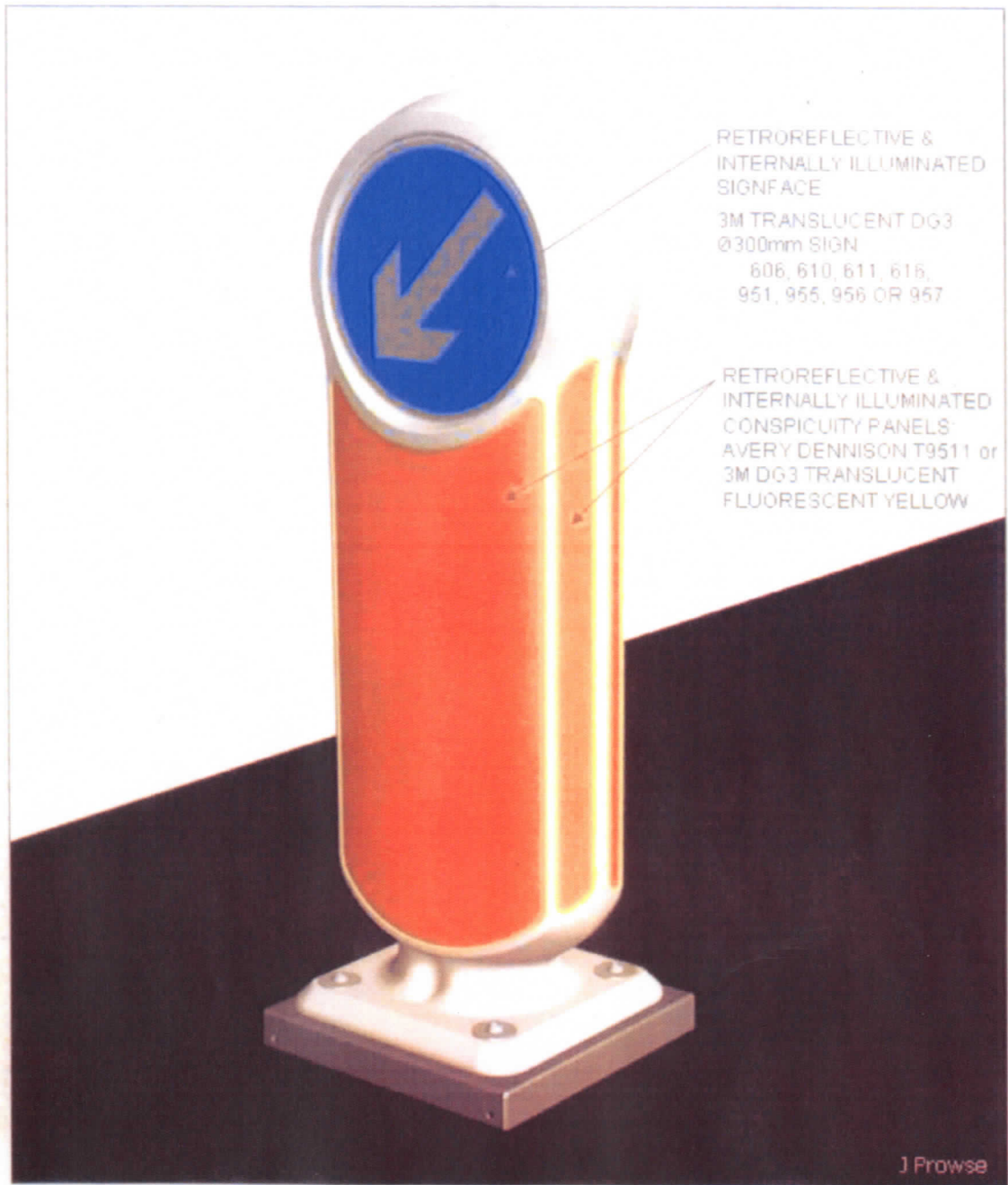
Signed by authority of the Secretary of State



A Delegated Official of the Department for Transport

CERTIFIED TRUE COPY
24/6/11

DEPARTMENT FOR TRANSPORT

Retroreflective Bollard with Internal illumination
from a Baselight

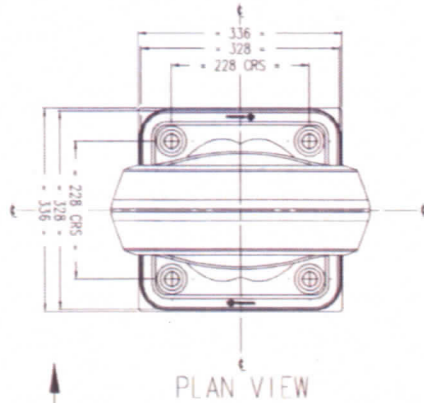


Department for Transport
23/6/11
9750/90/0005-1

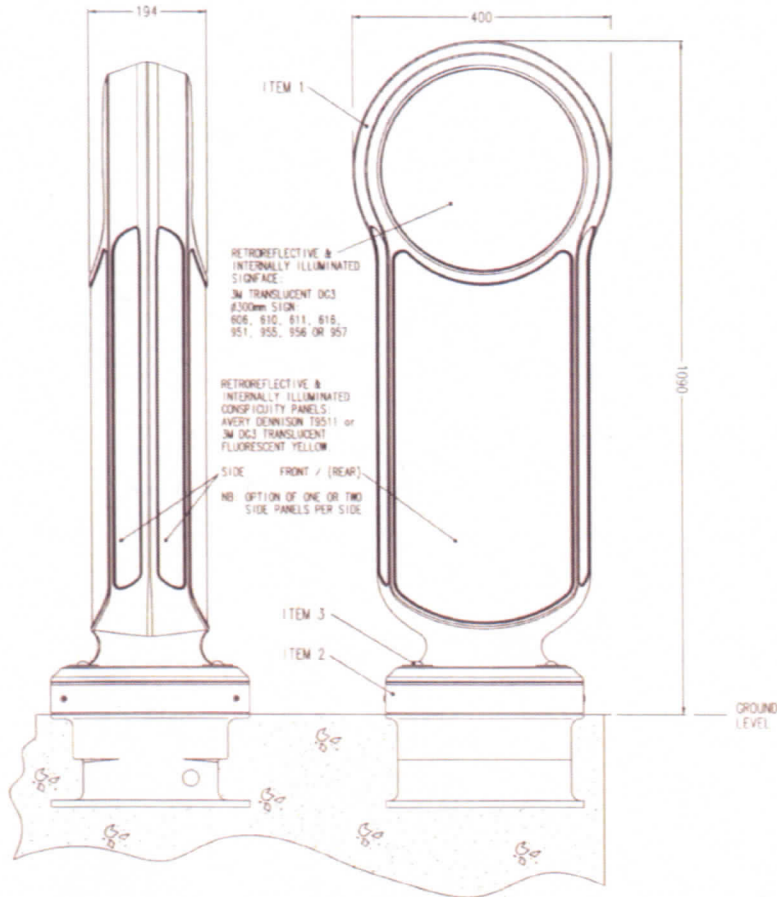
Page 1 of 7

MODEL SPECIFICATION REBOUND SIGNMASTER™ BOLLARD

(RETROREFLECTIVE BOLLARD WITH INTERNAL ILLUMINATION FROM A BASELIGHT)



↑
DIRECTION
OF TRAFFIC



(SHOWING PRE-INSTALLED TYPICAL LIGHTBOX - INSTALLED ONTO OPTIONAL LIGHTBOX ADAPTER PLATE)

PRODUCT INFORMATION:

- **WEIGHT** - BOLLARD - 6.0 Kg
 FIXINGS - 1.0 Kg
 ADAPTOR PLATE - 3.1 Kg
 TOTAL - 10.1 Kg
- **MATERIAL** - BOLLARD - IMPACTAPOL®
 ADAPTOR - MS GALVANISED
 FIXINGS - SCREWS - STAINLESS STEEL
 WASHERS - STAINLESS STEEL
 SPACERS - RIGID PVC

- **BODY COLOUR** - WHITE
- **DIMENSIONS** - ALL DIMENSIONS IN MM UNLESS OTHERWISE STATED.

INSTALLATION GUIDE:

- **ITEM 1 - REMOVABLE BOLLARD**
- **ITEM 2 - ADAPTOR PLATE**
 (VARIOUS TYPES DEPENDANT ON LIGHTBOX FITTING)
- **ITEM 3 - FIXINGS (4 OFF):**
 - M10 x 50mm SOCKET HEAD SCREW - S/S
 - M10 x Ø50 x 3mm WASHER - POWDER COATED S/S
 - M10 x Ø19 x 28mm SPACER - RIGID PVC

● ENSURE THAT ANY SIGNFACE FACES TOWARDS ONCOMING TRAFFIC.

● **FIXING TO EXISTING BASELIGHTS:**

USE THE APPROPRIATE ADAPTER PLATE RELATIVE TO THE TYPE OF BASELIGHT. FOLLOW THE SEPARATE FIXING INSTRUCTIONS SUPPLIED.

● **USE OF LED BASELIGHT**

FOLLOW THE SEPARATE FIXING INSTRUCTIONS SUPPLIED.

OPTIONAL PARTS:

- **OPTIONS AVAILABLE FOR THE PRODUCT:**
 - BODY C/W FRONT, 1xLH & 1xRH CONSPIQUITY PANELS
 - BODY C/W FRONT, 2xLH & 2xRH CONSPIQUITY PANELS
 - BODY C/W FRONT, REAR, 2xLH & 2xRH CONSPIQUITY PANELS
 - + A RANGE OF AUTHORISED SIGNFACES &/OR WHITE DISC

● **SPARES ARE AVAILABLE, WHICH INCLUDE:**

- BOLLARD C/W FIXINGS & RETROREFLECTIVE PATCHES
- BOLLARD ONLY
- RANGE OF SIGNFACES
- FIXINGS

TECHNICAL DATA:

- **SURFACE AREA OF CONSPIQUITY PANELS:**
 - FRONT = 161,701mm² (PROJECTED)
 - SINGLE SIDE = 24,255mm²
 - OPTIONAL DOUBLE SIDE = 48,510mm²
- **SURFACE AREA OF SIGNFACE = 70,686mm²**

ORG. TITLE		<p>Glasdon Glasdon UK Limited</p> <p><small>Preston New Road, Blackpool Lancashire, FY4 4B Telephone: 01253 800400 Facsimile: 01253 782508 E-mail: sales@glasdon-uk.co.uk Web Site: www.glasdon.com</small></p>
PROJECT		
ORG. No.	PROJECT No.	SPECIFICATION NUMBER - 025066-505 ISSUE 2 ©GLASDON UK LTD 02/01/07 SHEET SIZE: A2
SCALE	DATE	
DRAWN BY	CHECKED	

THIS DRAWING IS COPYRIGHT PROTECTED AND THE SOLE PROPERTY OF SIGNATURE LIMITED THEREFORE AS SUCH, THE CONTENTS MUST NOT BE WHOLE OR PARTLY BE DISTRIBUTED IN ANY WAY, TO A THIRD PARTY WITHOUT THE PERMISSION OF SIGNATURE LIMITED.

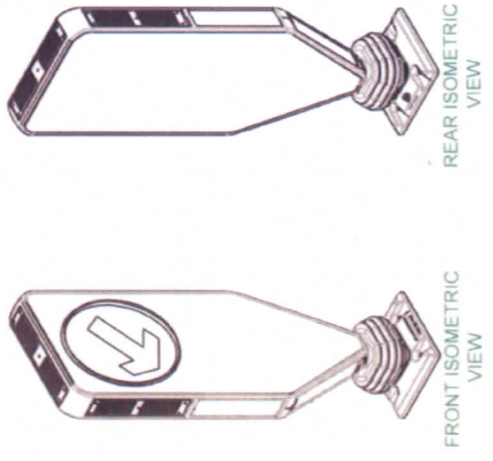
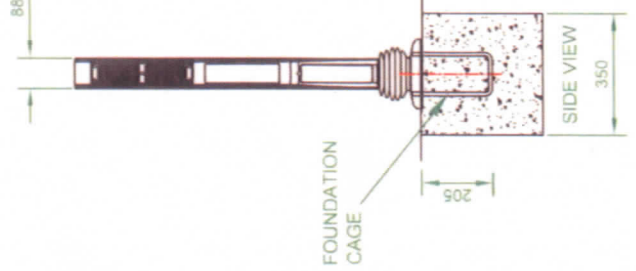
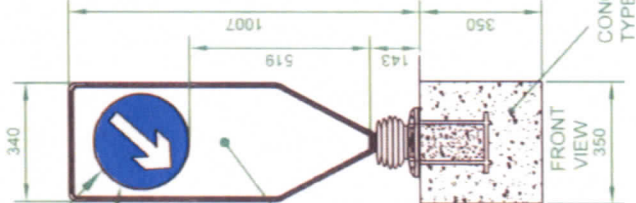
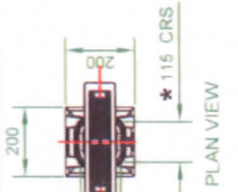


THIRD ANGLE PROJECTION

IF IN DOUBT ASK

8	REVISION
7	/A FIRST ISSUE: DDR 44:1 KR
6	/B OPTIONAL RETRO-REFLECTIVE DISCS DEL: DDR 44:1 KR 14-01-11

TECHNICAL
 PROJECTED AREA OF FRONT = 230,362mm²
 PROJECTED AREA OF EACH SIDE = 23,250mm²
 LEDs = 2 off Cree High Power LED's Guarantee of 50,000 hours burn time.
 Batteries = Cyclon Non-spillable Lead-Acid Batteries Guaranteed for 5 Years with a Design Life of 7 to 10 Years
 Solar Panels = 3 Panels of Monocrystalline technology Guaranteed for 5 Years
 Bollard Body = Rotationally moulded made out of recyclable material.



* FIXING CENTRES
 TRANSLUCENT WHITE PANEL WITH BLUE BACKGROUND DG* (10 YEAR) MATERIAL
 YELLOW REVERSE PANEL T-9511 OR DG* 4081 YELLOW (10 YEAR) RETRO-REFLECTIVE FLUORESCENT MATERIAL

Ø270
 T-9511 OR DG* 4081 YELLOW (10 YEAR) RETRO-REFLECTIVE FLUORESCENT MATERIAL
 F.F.L.
 FOUNDATION CAGE
 SIDE VIEW 350

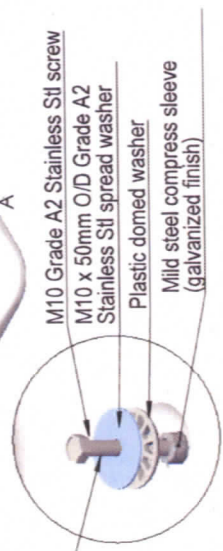
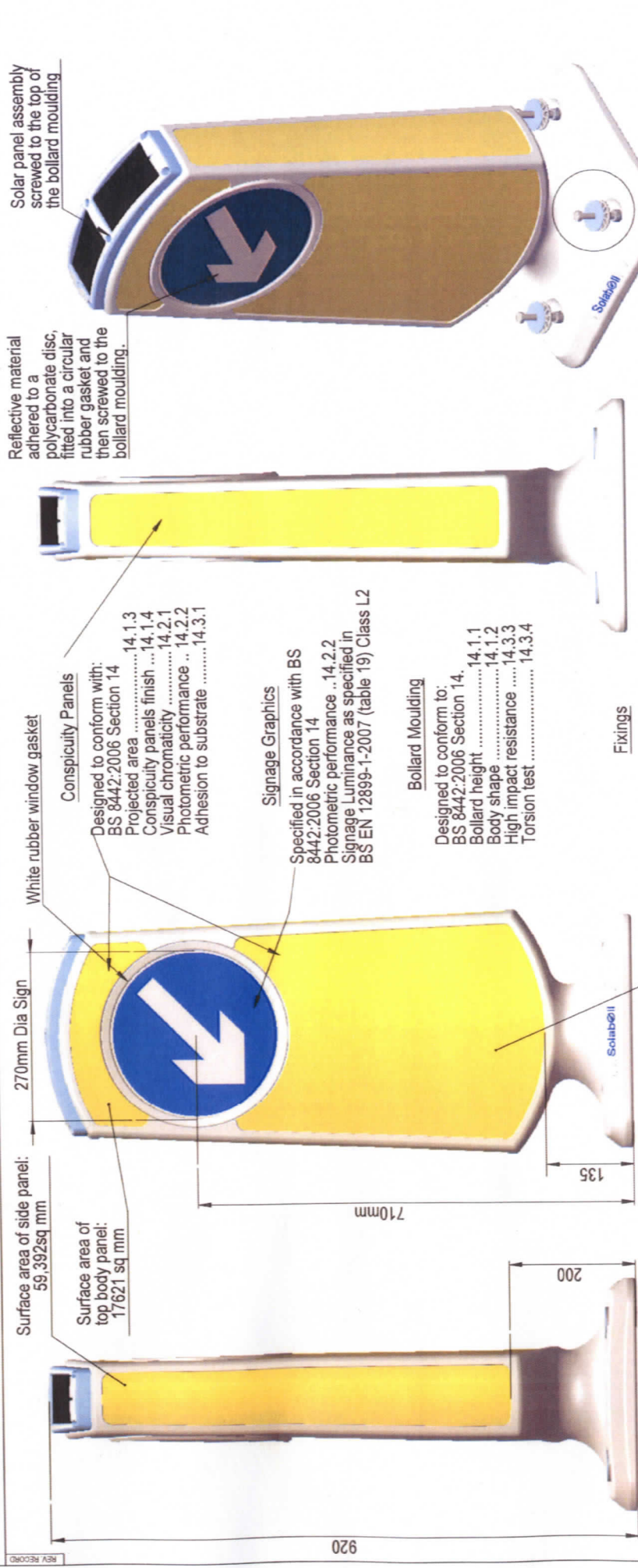
CONCRETE TYPE ST2

PLEASE NOTE SIGNATURE RESERVES THE RIGHT TO UPDATE THE ABOVE AS AND WHEN NECESSARY WITHOUT PRIOR NOTICE

NOTE UNDERSIDE OF PLATE IS GROUND LEVEL.

8	DRN BY	CHKD BY	APPROVED BY & DATE	FILENAME	DATE	SCALE
7	K. RAM	N/A	L6132B	12-01-11	N.T.S.	
6	OWNER	TITLE				
5	SIGNATURE HOUSE HAINGE ROAD TIVDALE, OLDUBURY B90 2NP 0121 357 0524	LAYOUT - LED SOLAR ILLUMINATED TRUEFLEX BOLLARD WITH FOUNDATION CAGE SPECIFICATION				
4	SIGNATURE	DWG. No. L6132				
3	FINISH	REVISION B SHEET 1 OF 1				
2	TOLERANCE					
1	ANGULAR TOLERANCE					

Solaboll Traffic Bollard Assembly Specification



DETAIL A
SCALE 1 : 3

Reflective material adhered to a polycarbonate disc, fitted into a circular rubber gasket and then screwed to the bollard moulding.

Solar panel assembly screwed to the top of the bollard moulding.

White rubber window gasket

270mm Dia Sign

Surface area of side panel: 59,392sq mm

Surface area of top body panel: 17621 sq mm

710mm

135

920

Conspicuity Panels

- Designed to conform with: BS 8442:2006 Section 14
- Projected area 14.1.3
- Conspicuity panels finish ... 14.1.4
- Visual chromaticity 14.2.1
- Photometric performance ... 14.2.2
- Adhesion to substrate 14.3.1

Signage Graphics

- Specified in accordance with BS 8442:2006 Section 14
- Photometric performance .. 14.2.2
- Signage Luminance as specified in BS EN 12899-1-2007 (table 19) Class L2

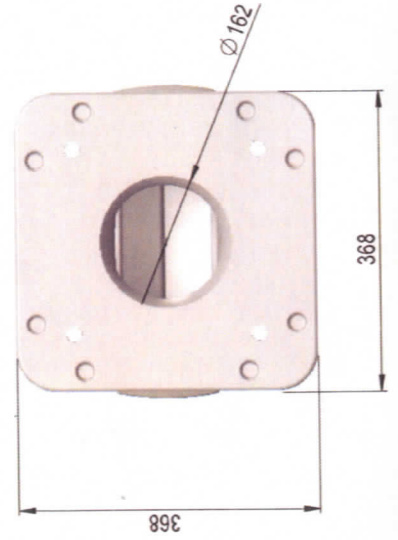
Bollard Moulding

- Designed to conform to: BS 8442:2006 Section 14.
- Bollard height 14.1.1
- Body shape 14.1.2
- High impact resistance 14.3.3
- Torsion test 14.3.4

Fixings

- Designed and specified to conform to: BS 8442:2006 Section 14
- Corrosion resistance 14.3.2

Surface area of main body panel: 138345 sq mm



© 2009 PUDSEY DIAMOND LTD. ALL RIGHTS RESERVED. THIS DOCUMENT OR ANY PART THEREOF MAY NOT BE REPRODUCED, STORED IN A RETRIEVAL SYSTEM OR TRANSMITTED IN ANY WAY WITHOUT WRITTEN PERMISSION FROM PUDSEY DIAMOND ENGINEERING LIMITED.

NOTES:	0.00 = +0.15
	0.0 = +0.30
FINISH:	Remove all burrs and sharp edges
	Whole No's +/-0.50
TOLERANCES UNLESS OTHERWISE STATED	
MATERIAL:	
SPEC:	
Drawn By	BD
Checked By	BD
Date Drawn	25/11/10
Scale	
THIRD ANGLE PROJECTION	

Pudsey Diamond Engineering Ltd
 Tel :- 01264 336677 Fax:- 01264 336688
 E-mail :- sales@pudseydiamond.com

Title

Solaboll Traffic Bollard Assembly Specification

Drawing Number
920008500-21

Part No.

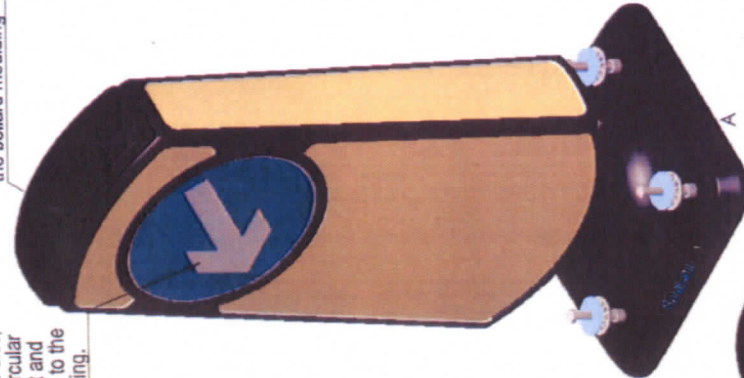
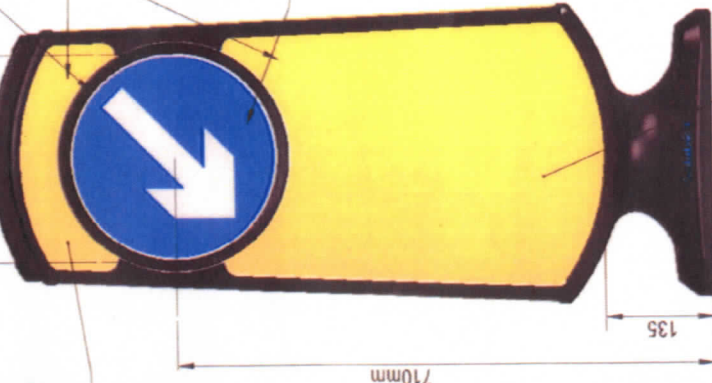
Drg Issue
B

Surface area of side panel:
59,392sq mm

Surface area of top body panel:
17621 sq mm

270mm Dia Sign

Black rubber window gasket



Reflective material adhered to a polycarbonate disc, fitted into a circular rubber gasket and then screwed to the bollard moulding.

Solar panel assembly screwed to the top of the bollard moulding

Conspicuity Panels
Designed to conform with:
BS 8442:2006 Section 14
Projected area 14.1.3
Conspicuity panels finish .. 14.1.4
Visual chromaticity 14.2.1
Photometric performance .. 14.2.2
Adhesion to substrate 14.3.1

Signage Graphics

Specified in accordance with BS 8442:2006 Section 14
Photometric performance .. 14.2.2
Signage Luminance as specified in BS EN 12899-1-2007 (table 19) Class L2

Bollard Moulding

Designed to conform to:
BS 8442:2006 Section 14.
Bollard height 14.1.1
Body shape 14.1.2
High impact resistance 14.3.3
Torsion test 14.3.4

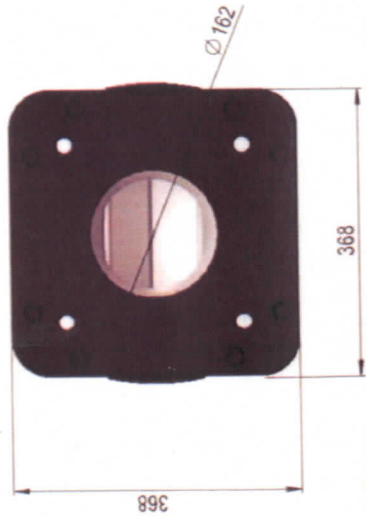
Fixings

Designed and specified to conform to:
BS 8442:2006 Section 14
Corrosion resistance 14.3.2



DETAIL A
SCALE 1 : 3

Surface area of main body panel:
138345 sq mm



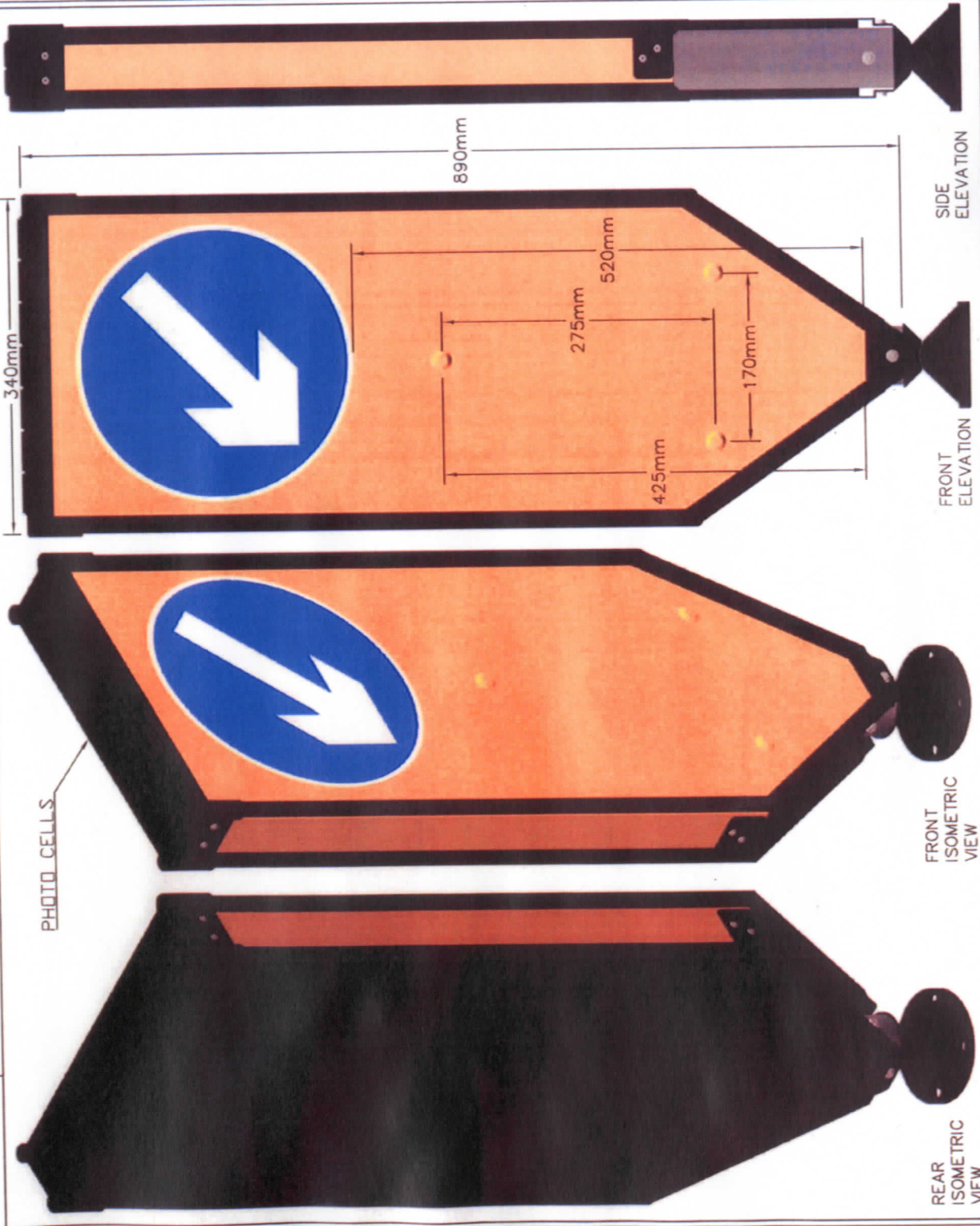
© 2009 PUDSEY DIAMOND LTD. ALL RIGHTS RESERVED. THIS DOCUMENT OR ANY PART THEREOF MAY NOT BE REPRODUCED STORED IN A RETRIEVAL SYSTEM OR TRANSMITTED IN ANY WAY WITHOUT WRITTEN PERMISSION FROM PUDSEY DIAMOND ENGINEERING LIMITED.

TOLERANCES UNLESS OTHERWISE STATED	
0.00 - +0.015	
0.0 - +0.030	
Whole NOS +0.30	
Notes	
All dimensions in mm	
Remove all burrs and sharp edges	
FINISH	
MATERIAL	
SPEC	

Drawn By	BD	Checked By	BD	Date Drawn	25/11/10	Scale		THIRD ANGLE PROJECTION
----------	----	------------	----	------------	----------	-------	--	------------------------

Pudsey
Diamond
Engineering Ltd

Tel :- 01264 336677 Fax:- 01264 336688
E-mail :- sales@pudseydiamond.com



SIGN FACE P610:
 BORDER WHITE 4090T
 BACKGROUND
 BLUE TRANSLUCENT
 ARROW WHITE 4090T
 DIAMETER 280mm
 DG3(DIAMOND GRADE CUBED)
 BS8408: 2005

CLEAR ILLUMINATED BACK
 PLATE TO ROUNDEL AT
 280mm DIAMETER

DRILL HOLES
 11MM-5MM DIAMETER
 470MM-13MM DIAMETER
 840MM-13MM DIAMETER

FACING DIMENSIONS:
 WIDTH: 300mm
 HEIGHT: 809.5mm
 AREA: 0.243sq.m
 FLUORESCENT YELLOW 4051
 DG3(DIAMOND GRADE CUBED)
 BS8408: 2005

SIDE STRIPS:
 WIDTH: 40mm
 HEIGHT: 645mm
 FLUORESCENT YELLOW 4051
 DG3(DIAMOND GRADE CUBED)
 BS8408: 2005

MATERIAL:
 VACUUM FORMED
 POLYPROPYLENE
 BLACK

Approved by:

Date:

Design by DJN

Drawn by AC

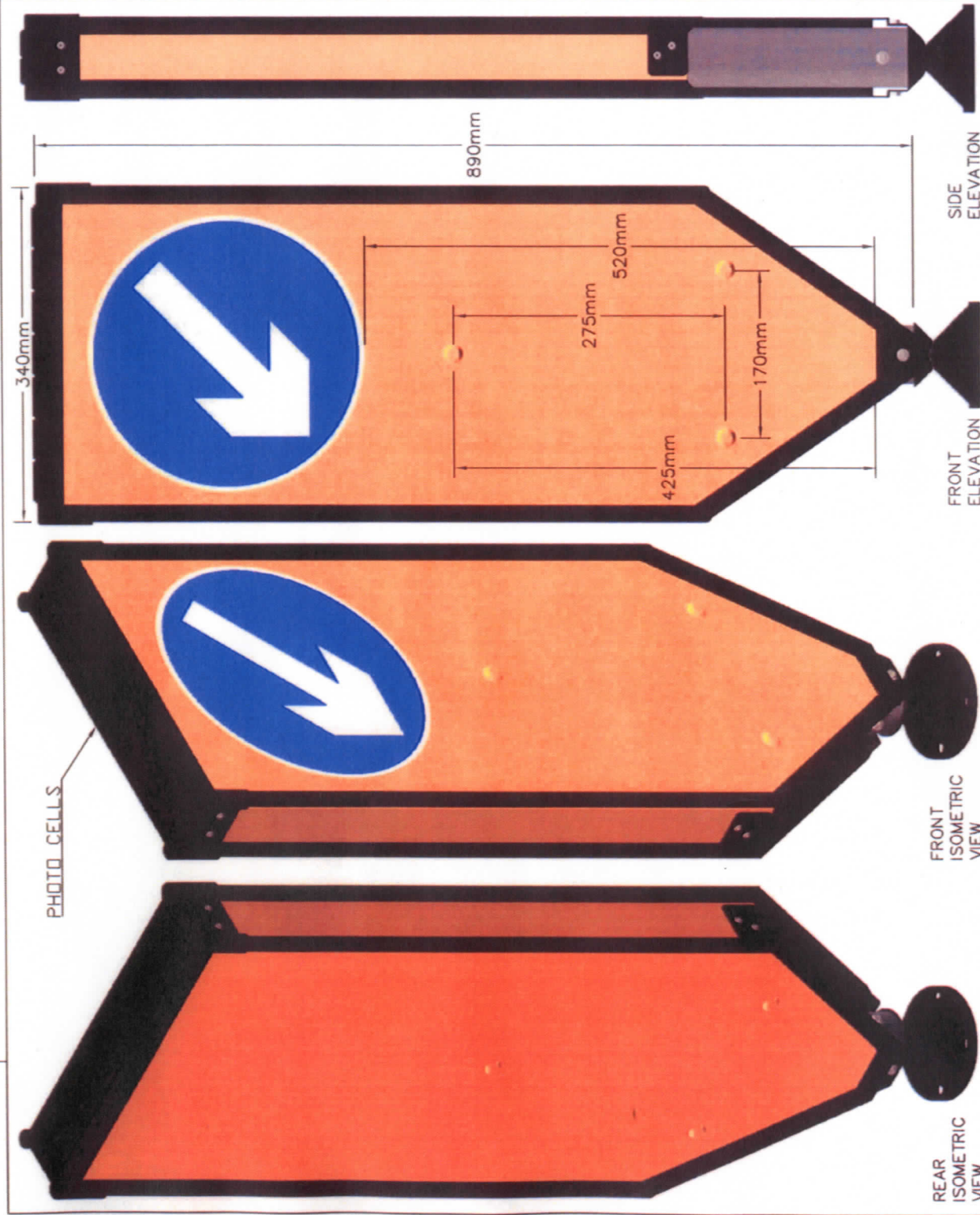
Tolerance ± 1.0mm

Revision # 3

Date 9/11/2007

Reference

TMP Ltd | TMP SOLALITE PLUS D610



SIGN FACE P610:
 BORDER WHITE 4090T
 BACKGROUND
 BLUE TRANSLUCENT
 ARROW WHITE 4090T
 DIAMETER 280mm
 DG3(DIAMOND GRADE CUBED)
 BS8408:2005

CLEAR ILLUMINATED BACK
 PLATE TO ROUND EL AT
 280mm DIAMETER

DRILL HOLES
 11MM - 5MM DIAMETER
 470MM - 13MM DIAMETER
 840MM - 13MM DIAMETER

FACING DIMENSIONS:
 WIDTH: 300mm
 HEIGHT: 809.5mm
 AREA: 0.243sq.m
 APPLIED TO FRONT AND
 REAR

FLUORESCENT YELLOW 4051
 DG3(DIAMOND GRADE CUBED)
 BS8408:2005

SIDE STRIPS:
 WIDTH: 40mm
 HEIGHT: 645mm
 FLUORESCENT YELLOW 4051
 DG3(DIAMOND GRADE CUBED)
 BS8408:2005

MATERIAL:
 VACUUM FORMED
 POLYPROPYLENE
 BLACK

Approved by:

Date:

Design by	DJN
Drawn by	AC
Tolerance	± 1.0mm
Revision #	2
Date	9/11/2007
Reference	

THIS DRAWING IS COPYRIGHT PROTECTED AND THE SOLE PROPERTY OF SIGNATURE LIMITED THEREFORE AS SUCH, THE CONTENTS MUST NOT BE WHOLE OR PARTLY BE DISTRIBUTED IN ANY WAY, TO A THIRD PARTY WITHOUT THE PERMISSION OF SIGNATURE LIMITED.

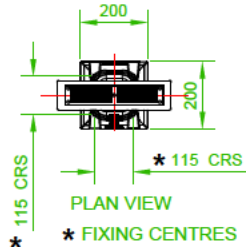


IF IN DOUBT ASK

REVISION
1 A FIRST ISSUE: DDR 477: KR 16-05-11



YELLOW REVERSE PANEL :- T-9511 OR DG* 4081 YELLOW (10 YEAR) RETRO-REFLECTIVE FLUORESCENT MATERIAL. 6 YEAR DELAMINATION WARRANTY SUBJECT TO NORMAL CONDITIONS



TOOLS REQUIRED FOR INSTALLATION
M10 RATCHET SPANNER

KIT OF PARTS

- CAGE FIXINGS = 4 OFF M10 BLACK PLASTIC COVERS
- 4 OFF M10 STAINLESS STEEL NYLOC NUTS
- 4 OFF M10 STAINLESS STEEL WASHERS

SOLAR ILLUMINATED TRUEFLEX BOLLARD

FOUNDATION CAGE



SINGLE OR DOUBLE ASPECT; I.E. SINGLE OR DOUBLE SIDED.

OTHER ASPECT VARIANTS AVAILABLE

INSTALLATION INSTRUCTIONS

RECOMMENDED MINIMUM EXCAVATED HOLE SIZE 350x350x350mm DEEP.

PLACE FOUNDATION CAGE IN SITU AND FILL IN WITH APPROPRIATE CONCRETE IN LINE WITH HIGHWAY WORKS SPECIFICATION.

NOTE FOR REDUCED RISK IT IS RECOMMENDED TO USE QUICK SETTING CONCRETE, BUT EXACT INSTALLATION REQUIREMENTS SHOULD BE ASSESSED FROM SITE SURVEY.

ONCE CONCRETE HAS SET PLACE THE TRUEFLEX BOLLARD OVER THE M10 STUDS ENSURING THAT THE RELEVANT ASPECT IS FACING TOWARDS ONCOMING TRAFFIC.

PLACE THE M10 STAINLESS STEEL WASHERS OVER THE M10 STUDS, TOGETHER WITH THE M10 NYLOC NUTS.

USING A RATCHET SPANNER TIGHTEN DOWN THE NYLOC NUTS. FINISH OFF BY PLACING THE PLASTIC COVERS OVER THE NYLOC NUTS.

ORDERING CODES

- JWL-JW-47-125 Truflex Solar Bollard Single Aspect 610(L)
- JWL-JW-47-126 Truflex Solar Bollard Double Aspect 610(L)
- JWL-JW-47-127 Truflex Solar Bollard Single Aspect (P)
- JWL-JW-47-104 Cage Fixing for Trueflex Solar

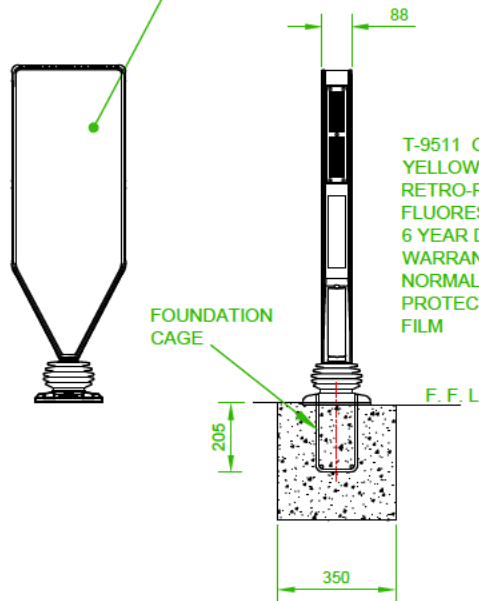
FOR OTHER OPTIONS OF STYLES PLEASE CONTACT JOHN WILKINSON.

FRONT VIEW

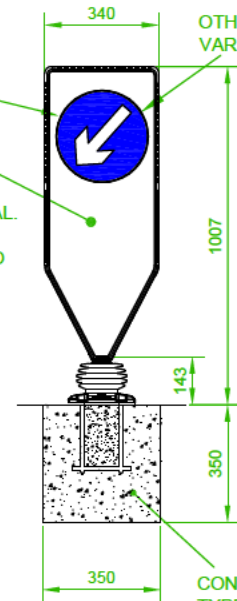
PLEASE NOTE: -

IT IS THE RESPONSIBILITY OF THE INSTALLER TO ENSURE THAT THEY ARE QUALIFIED TO UNDERTAKE THE ABOVE INSTALLATION.

SIGNATURE RESERVES THE RIGHT TO UPDATE THE ABOVE AS AND WHEN NECESSARY WITHOUT PRIOR NOTICE.



T-9511 OR DG* 4081 YELLOW (10 YEAR) RETRO-REFLECTIVE FLUORESCENT MATERIAL. 6 YEAR DELAMINATION WARRANTY SUBJECT TO NORMAL CONDITIONS. PROTECTIVE OVERLAY FILM



TECHNICAL

PROJECTED AREA OF FRONT = 230,362mm²
PROJECTED AREA OF EACH SIDE = 23,250mm²

NOTE UNDERSIDE OF PLATE IS GROUND LEVEL.

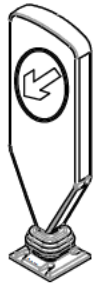
	TOLERANCE +/- 0.5mm	MATERIAL -	DRN BY K. RAM	CHKD BY N/A	APPROVED BY & DATE	FILENAME L6140A	DATE 16-05-11	SCALE N.T.S.
QA FORM No. PG20c Iss 2	ANGULAR TOLERANCE ± 1°	SPECIFICATION -	OWNER SIGNATURE	TITLE LAYOUT - SOLAR ILLUMINATED TRUEFLEX BOLLARD WITH FOUNDATION CAGE LONDON BOROUGH OF MERTON SPECIFICATION				
STOCK No.	ALL DIMENSIONS ARE IN MM UNLESS OTHERWISE STATED.	FINISH -	SIGNATURE LTD SIGNATURE HOUSE HAINGE ROAD TIVIDALE, OLDBURY B89 2NF 0121 557 0234		DWG. No. L6140	REVISION A	SHEET 1 OF 1	

THIS DRAWING IS COPYRIGHT PROTECTED AND THE SOLE PROPERTY OF SIGNATURE LIMITED THEREFORE AS SUCH, THE CONTENTS MUST NOT BE WHOLE OR PARTLY BE DISTRIBUTED IN ANY WAY, TO A THIRD PARTY WITHOUT THE PERMISSION OF SIGNATURE LIMITED.

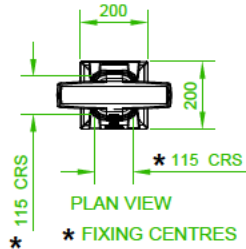


IF IN DOUBT ASK

REVISION
1/A FIRST ISSUE: DDR 477: KR 16-05-11



YELLOW REVERSE PANEL :- T-9511 OR DG[®] 4081 YELLOW (10 YEAR) RETRO-REFLECTIVE FLUORESCENT MATERIAL. 6 YEAR DELAMINATION WARRANTY SUBJECT TO NORMAL CONDITIONS



TOOLS REQUIRED FOR INSTALLATION
M10 RATCHET SPANNER

KIT OF PARTS

CAGE FIXINGS = 4 OFF M10 BLACK PLASTIC COVERS
4 OFF M10 STAINLESS STEEL NYLOC NUTS
4 OFF M10 STAINLESS STEEL WASHERS

TRUEFLEX BOLLARD

FOUNDATION CAGE



SINGLE OR DOUBLE ASPECT; I.E. SINGLE OR DOUBLE SIDED.

OTHER ASPECT VARIANTS AVAILABLE

INSTALLATION INSTRUCTIONS

RECOMMENDED MINIMUM EXCAVATED HOLE SIZE 350x350x350mm DEEP.

PLACE FOUNDATION CAGE IN SITU AND FILL IN WITH APPROPRIATE CONCRETE IN LINE WITH HIGHWAY WORKS SPECIFICATION. NOTE FOR REDUCED RISK IT IS RECOMMENDED TO USE QUICK SETTING CONCRETE, BUT EXACT INSTALLATION REQUIREMENTS SHOULD BE ASSESSED FROM SITE SURVEY.

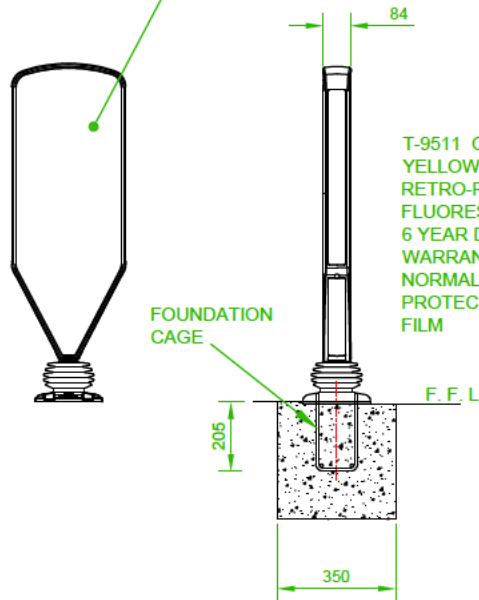
ONCE CONCRETE HAS SET PLACE THE TRUEFLEX BOLLARD OVER THE M10 STUDS ENSURING THAT THE RELEVANT ASPECT IS FACING TOWARDS ONCOMING TRAFFIC.

PLACE THE M10 STAINLESS STEEL WASHERS OVER THE M10 STUDS, TOGETHER WITH THE M10 NYLOC NUTS.

USING A RATCHET SPANNER TIGHTEN DOWN THE NYLOC NUTS. FINISH OFF BY PLACING THE PLASTIC COVERS OVER THE NYLOC NUTS.

ORDERING CODES

JWL-JW-47-110 KEEP LEFT ASPECT C/W REAR YELLOW PANEL
JWL-JW-47-112 OPAL ASPECT C/W REAR YELLOW PANEL

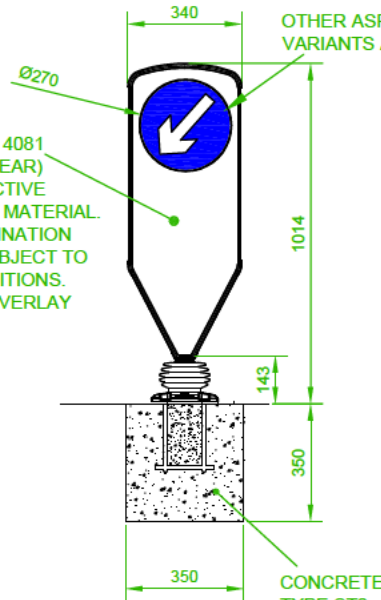


TECHNICAL

PROJECTED AREA OF FRONT = 225,224mm²
PROJECTED AREA OF EACH SIDE = 23,175mm²

SIDE VIEW

NOTE UNDERSIDE OF PLATE IS GROUND LEVEL.



FRONT VIEW

PLEASE NOTE: -

IT IS THE RESPONSIBILITY OF THE INSTALLER TO ENSURE THAT THEY ARE QUALIFIED TO UNDERTAKE THE ABOVE INSTALLATION.

SIGNATURE RESERVES THE RIGHT TO UPDATE THE ABOVE AS AND WHEN NECESSARY WITHOUT PRIOR NOTICE.

FOR OTHER OPTIONS OF STYLES PLEASE CONTACT SIGNATURE LTD.,

TOLERANCE +/- 0.5mm	MATERIAL -	DRN BY K. RAM	CHKD BY N/A	APPROVED BY & DATE	FILENAME L6141A	DATE 16-05-11	SCALE N.T.S.	
QA FORM No. PG20c Iss 2	ANGULAR TOLERANCE ± 1°	SPECIFICATION -	OWNER SIGNATURE Signature [®] Ltd SIGNATURE HOUSE HAINGE ROAD TIVIDALE, OLDBURY B89 2NF 0121 557 0234	TITLE LAYOUT DRAWING - TRUEFLEX BOLLARD WITH FOUNDATION CAGE - LONDON BOROUGH OF MERTON SPECIFICATION				
STOCK No.	ALL DIMENSIONS ARE IN MM UNLESS OTHERWISE STATED.	FINISH -		DWG. No. L6141	REVISION A	SHEET 1 OF 1		