



**ROAD TRAFFIC REGULATION ACT 1984 – SECTIONS 64 AND 65
AUTHORISATION OF TRAFFIC SIGNS AND SPECIAL DIRECTIONS**

In addition to the authorisation referenced GT50/144/0007, dated 17 October 2011 (“the said authorisation”), the Secretary of State for Transport, in exercise of her powers under sections 64 and 65 of the Road Traffic Regulation Act 1984, and of all other powers enabling her in that behalf, for the purpose of informing road users of restrictions, requirements or prohibitions and information at appropriate sites on roads for which Suffolk County Council is the traffic authority, hereby:-

1. authorises that, in addition to those permitted variants referred to in paragraph 19 of the said authorisation, the following permitted variants may be applied to the “Authorised Sign G”:
 - the legend “Pay by phone” may be varied to “Pay by text”, in which case the telephone number and the legend “or text” shall be omitted; and
 - the legend “or Pay at machine” may be omitted, in which case the legend “Display ticket” and the arrow above shall also be omitted; and
2. authorises the erection at the said sites, of a traffic sign (hereinafter referred to as “the Authorised Sign H”) conforming as to size, colour and character with that referenced “Authorised Sign H” in the attached set of drawings numbered GT50/144/0010-1; and
3. authorises the erection at appropriate roundabout sites of a traffic sign (hereinafter referred to as “the Authorised Sign I”) conforming as to size, colour and character with that referenced “Authorised Sign I” in the said set of drawings; and
4. authorises the erection at the said sites of a traffic sign (hereinafter referred to as “the Authorised Sign O”) conforming as to size, colour and character with that referenced “Authorised Sign O” in the said set of drawings, save that:
 - the legend “Goods vehicle” may be omitted, in which case the legend “loading” shall be varied to “Loading”; and
 - references to the time of day or to the day of the week may be varied or omitted; and
 - references to the month of the year may be added; and
 - references to bank or public holidays may be included; and
5. authorises the erection at the said sites of a traffic sign (hereinafter referred to as “the Authorised Sign P”) conforming as to size, colour and character with that referenced “Authorised Sign P” in the said set of drawings; and
6. authorises the erection at the said sites of a traffic sign (hereinafter referred to as “the Authorised Sign Q”) conforming as to size, colour and character with that referenced “Authorised Sign Q” in the said set of drawings, save that the legend “D123” may be varied as appropriate; and
7. authorises the placing at the said sites of a traffic sign consisting of a road marking (hereinafter referred to as “the Authorised Marking F”) conforming as to size, colour and character with that shown in diagram 1028.3 in Schedule 6 to the Traffic Signs Regulations 2002 (Part I of SI 2002/3113, “the 2002 Regulations”), save that:
 - the legend “DISABLED” shall be varied to the legend “DISABLED D123 ONLY”; and
 - the legend “D123” may be varied as appropriate; and



8. authorises the erection at the said sites of a traffic sign (hereinafter referred to as "the Authorised Sign R") conforming as to size, colour and character with that referenced "Authorised Sign R" in the said set of drawings, save that:
 - references to the time of day or to the day of the week may be added, varied or omitted; and
 - references to the month of the year may be added; and
 - references to bank or public holidays may be included; and
 - the direction of an arrow may be varied with the arrow pointing horizontally to the right; and
 - the arrow may be omitted; and
9. authorises the erection at appropriate sites on the said roads of a traffic sign (hereinafter referred to as "the Authorised Sign S") conforming as to size, colour and character with that referenced "Authorised Sign S" in the said set of drawings; save that the words "motor vehicle", "verge or" or "or footway" may be omitted, and the place name may be varied to the name of a city, town, village, area or road; and
10. authorises the erection at the said sites of a traffic sign (hereinafter referred to as "the Authorised Sign T") conforming as to size, colour and character with that referenced "Authorised Sign T" in the said set of drawings; and
11. authorises the erection at the said sites of a traffic sign (hereinafter referred to as "the Authorised Sign U") conforming as to size, colour and character with that referenced "Authorised Sign U" in the said set of drawings; and
12. directs that the sign shown in diagram 660.4 in Schedule 2 to the 2002 Regulations may be erected in sufficient numbers to give adequate information to road users of loading only restrictions, within an area the entrance to which is indicated by the Authorised Sign O; and
13. directs that, notwithstanding the provisions of Direction 24(1) of the Traffic Signs General Directions 2002 (Part II of SI 2002/3113, "the 2002 Directions"), the sign shown in diagram 660.4 in Schedule 2 to the 2002 Regulations shall not be used in conjunction with the road markings shown in diagrams 1028.3, 1032 and 1033 in Schedule 6 to those Regulations, within an area the entrance to which is indicated by the Authorised Sign O; and
14. directs that, notwithstanding the provisions of Direction 11(2) of the 2002 Directions, the sign shown in diagram 660.4 need not be placed within an area the entrance to which is indicated by the Authorised Sign O; and
15. directs that the Authorised Sign P may only be placed as near as practicable to the point where the restriction indicated by the Authorised Sign O ceases; and
16. directs that the Authorised Sign Q shall only be placed in conjunction with the Authorised Marking F at the said sites; and
17. directs that the Authorised Marking F shall only be placed in conjunction with the Authorised Sign Q at the said sites; and
18. directs that the Authorised Sign T shall be placed as near as practicable to the point where the restriction indicated by the Authorised Sign S ceases; and



19. directs that, notwithstanding the provisions of Direction 24(1) of the 2002 Directions, the sign shown in diagram 661A in Schedule 2 to the 2002 Regulations may be used in conjunction with "the Authorised Marking C" referred to in paragraph 47 of the said authorisation, at the said sites; and
20. directs that, notwithstanding the provisions of Direction 24(1) of the 2002 Directions, the signs shown in diagrams 639.1B and 661.1 in Schedule 2 to the 2002 Regulations may be used in conjunction with "the Authorised Marking D" referred to in paragraph 48 of the said authorisation, at the said sites; and
21. directs that, notwithstanding the provisions of Direction 24(1) of the 2002 Directions, the signs shown in diagrams 639.1B and 661A in Schedule 2 to the 2002 Regulations may be used in conjunction with "the Authorised Marking E" referred to in paragraph 49 of the said authorisation, at the said sites; and
22. directs that the Authorised Sign E referred to in paragraph 15 of the said authorisation, may be used in conjunction with the Authorised Markings C, D and E referred to in paragraphs 47, 48 and 49 in the said authorisation, at the said sites; and
23. directs that the Authorised Sign F referred to in paragraph 17 of said authorisation, may be used in conjunction with the Authorised Markings C and E referred to in paragraphs 47 and 49 in the said authorisation, at the said sites; and
24. directs that the Authorised Sign G referred to in paragraph 19 of said authorisation, may be used in conjunction with the Authorised Markings D and E referred to in paragraphs 48 and 49 in the said authorisation, at the said sites; and
25. directs that it is a condition of this authorisation that the Authorised Signs I, O, P, Q, R, S, T and U, and the Authorised Marking F may be placed only to indicate the effect of a corresponding Traffic Regulation Order; and
26. directs that, notwithstanding the provisions of Direction 8 of the 2002 Directions (as amended by the Traffic Signs (Amendment) (No.2) General Directions 2011 (Part 2 of SI 2011/3041, the 2011 Directions)), the sign shown in diagram 663.2 in Schedule 2 to the 2002 Regulations (as amended by the Traffic Signs (Amendment) (No.2) Regulations 2011 (Part 1 of SI 2011/3041, "the 2011 Regulations")), may be placed:
 - on one side of the carriageway, where the relevant road has only one carriageway in relation to which the restriction and prohibition begins; or
 - on one side of each carriageway, where the relevant road has more than one carriageway in relation to which the restriction and prohibition begins; and
27. directs, without prejudice to any statutory provision to the like effect, that it is a condition of this authorisation that the erection of the Authorised Signs H, I, O, P, Q, R, S, T, and U, the placing of the Authorised Marking F, and the above conditions of the placing of the sign shown in diagram 663.2 in Schedule 2 to the 2002 Regulations (as amended by the 2011 Regulations), at or near the said sites shall continue to have effect only until such day as may be appointed by one month's notice given by the Secretary of State in writing to the traffic authority for the removal or alteration of the Authorised Signs H, I, O, P, Q, R, S, T and U, the Authorised Marking F, and the sign shown in diagram 663.2 in Schedule 2 to the 2002 Regulations (as amended by the 2011 Regulations) when placed in accordance with paragraph 22 above, and on that day the said authorisation shall, without prejudice to the giving of any further authorisation or direction, cease to have effect.



The provisions of Regulations 12, 18 and 19 of the 2002 Regulations shall apply to the Authorised Sign H in the same manner as they apply to the sign shown in diagram 515.1 in Schedule 1 to those Regulations.

The provisions of Regulations 12, 18 and 19 of the 2002 Regulations shall apply to the Authorised Sign I in the same manner as they apply to both the sign shown in diagram 515.1A in Schedule 1 to those Regulations and to the sign shown in diagram 606 in Schedule 2 to those Regulations.

The provisions of Regulations 12, 18 and 19 of the 2002 Regulations shall apply to the Authorised Sign O in the same manner as they apply to the sign shown in diagram 663 in Schedule 2 to those Regulations.

The provisions of Regulations 12, 18 and 19 of the 2002 Regulations shall apply to the Authorised Sign P in the same manner as they apply to the sign shown in diagram 664 in Schedule 2 to those Regulations.

The provisions of Regulations 12, 18 and 19 of the 2002 Regulations shall apply to the Authorised Sign Q in the same manner as they apply to the sign shown in diagram 661A in Schedule 2 to those Regulations.

The provisions of Regulations 12, 18 and 19 of the 2002 Regulations shall apply to the Authorised Sign R in the same manner as they apply to the sign shown in diagram 640.2A in Schedule 2 to those Regulations.

The provisions of Regulations 12 and 31 of the 2002 Regulations shall apply to the Authorised Marking F in the same manner as they apply to the road marking shown in diagram 1028.3 in Schedule 6 to those Regulations.

Paragraphs 21 and 22, and all other references contained in the said authorisation to "the Authorised Sign H" and "the Authorised Sign I" are hereby revoked.

The provisions of Regulations 12, 18 and 19 of the Traffic Signs Regulations 2002 (Part I of SI 2002/3113, "the 2002 Regulations") shall apply to the Authorised Sign S in the same manner as they apply to the sign shown in diagram 663 in Schedule 2 to those Regulations.

The provisions of Regulations 12, 18 and 19 of the 2002 Regulations shall apply to the Authorised Sign T in the same manner as they apply to the sign shown in diagram 664 in Schedule 2 to those Regulations.

The provisions of Regulations 12, 18 and 19 of the 2002 Regulations shall apply to the Authorised Sign U in the same manner as they apply to the sign shown in diagram 668 in Schedule 2 to those Regulations.

Dated 5 March 2012

Signed by authority of the Secretary of State

[Redacted signature]

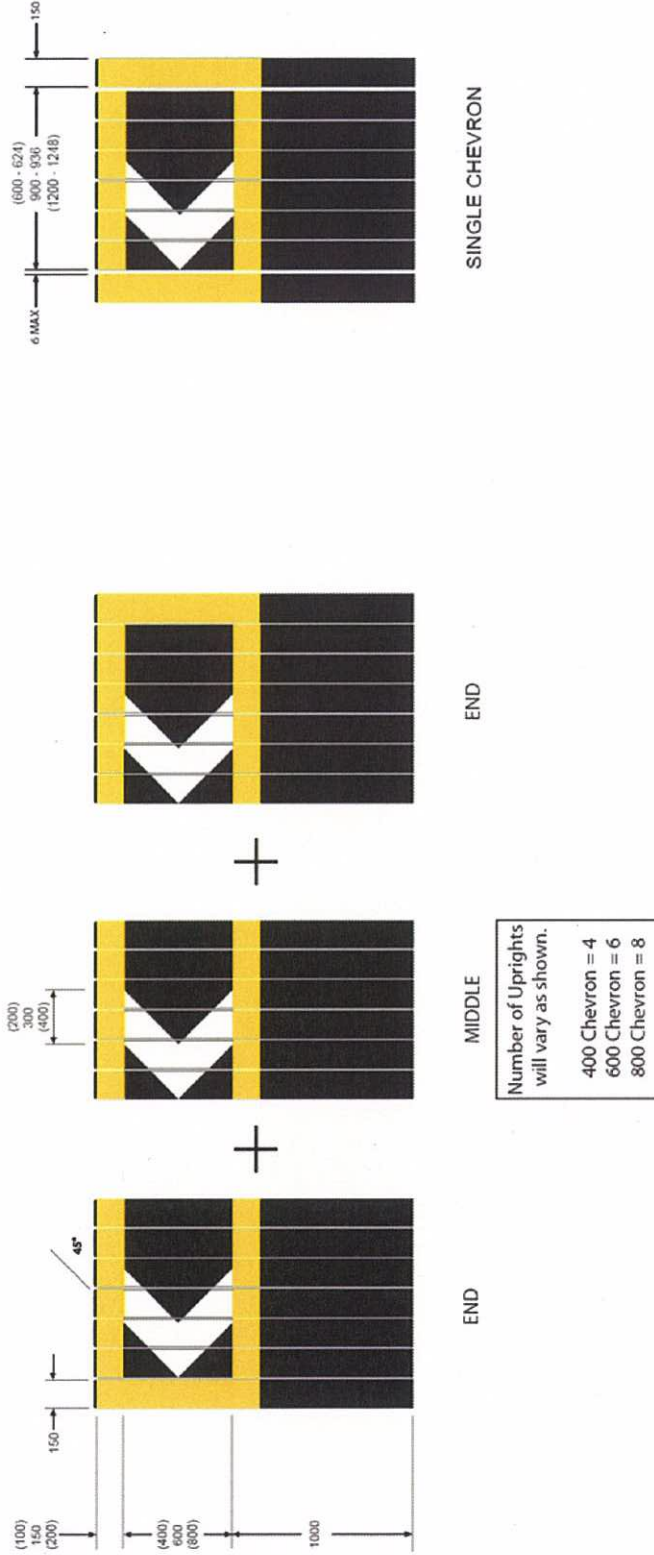
.....
A Delegated Official of the Department for Transport

CERTIFIED TRUE COPY

DEPARTMENT FOR TRANSPORT

Authorised Sign H

HIGH VISIBILITY BACKING BENDS



Notes:

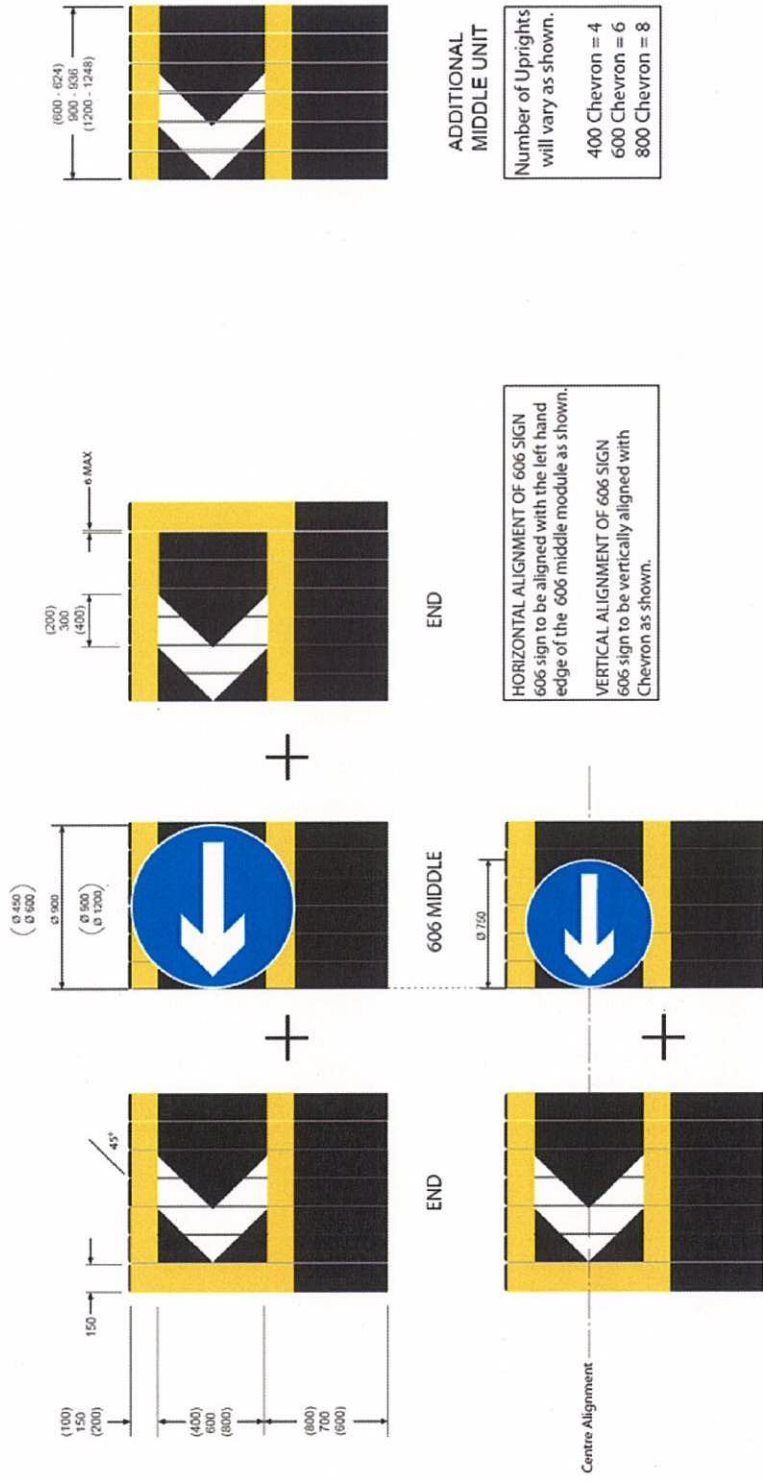
Fluorescent yellow and white retroreflective material shown from 02S061-S17 is as recommended in table NA1 of the National Annex of BS EN 12899-1 2007 Fixed Vertical Road Signs.

Microprismatic retroreflective materials must meet the requirements of BS 8408 2005 Road Traffic Signs. Testing and Performance of Microprismatic Retroreflective Sheet Materials when sited normally and used for their normal application.

Left Hand Bend shown. The direction of the chevron may be varied with the chevron pointing horizontally to the left or to the right.

Authorised Sign I

HIGH VISIBILITY BACKING ROUNDABOUT CW 606 SIGN



ADDITIONAL MIDDLE UNIT
 Number of Uprights will vary as shown.
 400 Chevron = 4
 600 Chevron = 6
 800 Chevron = 8

HORIZONTAL ALIGNMENT OF 606 SIGN
 606 sign to be aligned with the left hand edge of the 606 middle module as shown.
VERTICAL ALIGNMENT OF 606 SIGN
 606 sign to be vertically aligned with Chevron as shown.

ALTERNATIVE 606 MIDDLE

Notes:

- Fluorescent yellow and white retroreflective material shown from 02S061-S18 is as recommended in table NA1 of the National Annex of BS EN 12899-1 2007 Fixed Vertical Road Signs.
- Microprismatic retroreflective materials must meet the requirements of BS 8408 2005 Road Traffic Signs. Testing and Performance of Microprismatic Retroreflective Sheet Materials when sited normally and used for their normal application.



Authorised Sign O	Tile edges do not form part of the sign	Authorised Sign P	Tile edges do not form part of the sign
x-height (mm)	40	x-height (mm)	40
Illumination requirements	Traffic Signs Regulations and General Directions 2002, Schedule 17 item 4	Illumination requirements	Traffic Signs Regulations and General Directions 2002, Schedule 17 item 4
Colours from BS EN 1289-1	Equivalent colours from BS 381C	Colours from BS EN 1289-1	Equivalent colours from BS 381C
Black	N/A	Black	N/A
White	N/A	White	N/A
Blue	No 109 (Middle Blue)		



Authorised Sign Q	Tile edges do not form part of the sign	Authorised Sign R	Tile edges do not form part of the sign
x-height (mm)	20 - 40	x-height (mm)	20 - 40
Illumination requirements	Traffic Signs Regulations and General Directions 2002, Schedule 17 item 9	Illumination requirements	Traffic Signs Regulations and General Directions 2002, Schedule 17 item 9
Colours from BS EN 1289-1	Equivalent colours from BS 381C	Colours from BS EN 1289-1	Equivalent colours from BS 381C
Black	N/A	Black	N/A
White	N/A	Yellow	No 355 (Lemon)
Blue	No 109 (Middle Blue)	Blue	No 109 (Middle Blue)
		Red	No 357 (Signal Red)

Drawing No. NP 428.1

Related Drawing P 667

© CROWN COPYRIGHT

NOTES: 1. The legend is from the Transport Heavy alphabet at the x-height shown.

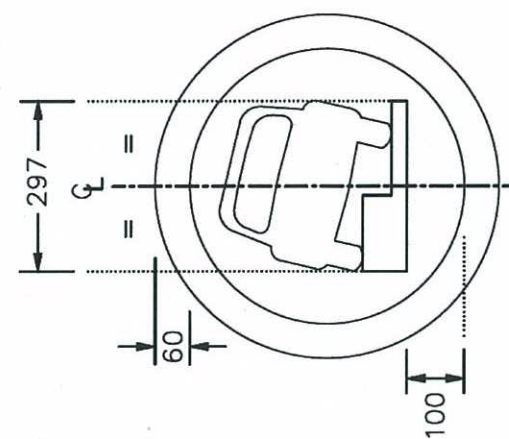
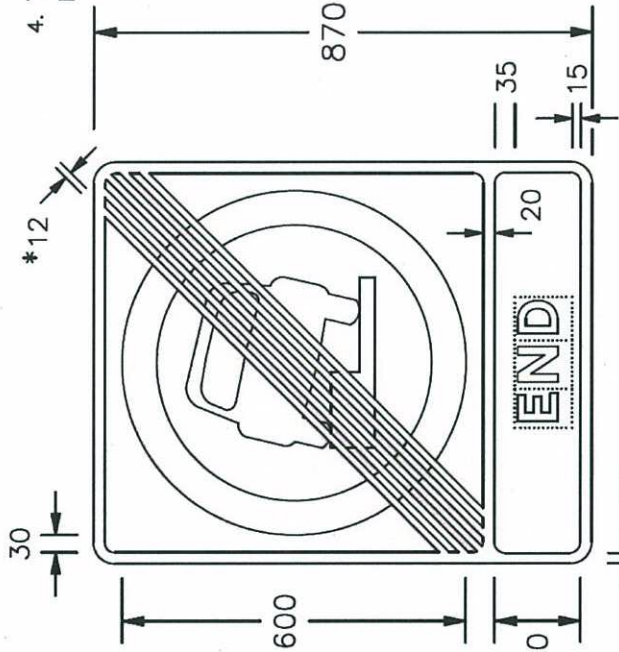
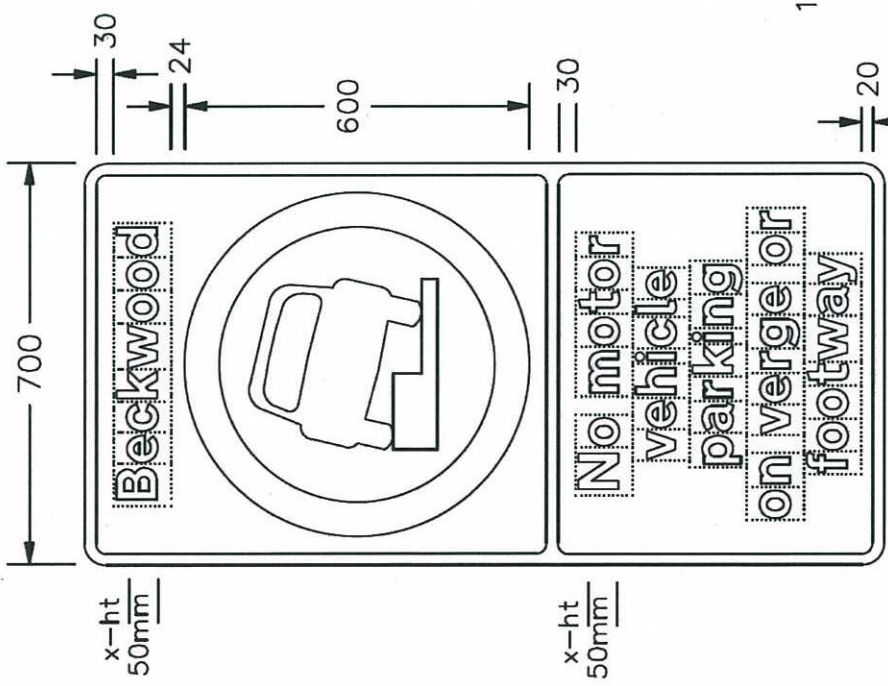
2. The tile outlines do not form part of the signs.

3. COLOURS : Backgrounds ----- WHITE

Start Sign Legend, Border & Symbol ----- BLACK
Roundel ----- RED

End Sign Legend, Border & Cancellation Bars ----- BLACK
Roundel & Symbol ----- GREY

4. The symbol shall be reversed when the signs are placed on the right hand side of the carriageway.



Symbol dimensions shown on P 667
1sw = 22mm

Authorised Sign I

Authorised Sign U

Department for **Transport**

Title: Regulatory Signs
START AND END OF
FOOTWAY PARKING PROHIBITION

Issue: Date: A: 01.3.12
B: C:

Drawn by: A.K.
Approved by: J.B.

Dimensions: MILLIMETRES
Drawing No. NP 428.1

NP428x1-RC