



**ROAD TRAFFIC REGULATION ACT 1984 – SECTIONS 64 AND 65
AUTHORISATION OF TRAFFIC SIGNS AND SPECIAL DIRECTIONS**

The Secretary of State for Transport, in exercise of his powers under Sections 64 and 65 of the Road Traffic Regulation Act 1984 and of all other powers enabling him in that behalf, for the purpose of indicating parking places for disabled persons in Nelson in the county of Lancashire hereby:-

1. authorises the placing within the area bordered by a red line on the attached plan numbered GT50/064/0025-1 of a traffic sign consisting of a road marking (hereinafter referred to as "the authorised marking A") conforming as to size, colour and character with the disabled parking bay shown at Section B-B on the attached drawing numbered GT50/064/0025-2; and
2. authorises the placing within the same area on the said plan of a traffic sign consisting of a road marking (hereinafter referred to as "the authorised marking B") conforming as to size, colour and character with the disabled parking bay shown at Section E-E on the said drawing and
3. directs that it is a condition of this authorisation that the authorised markings A and B may be placed only to indicate the effect of a corresponding Traffic Regulation Order; and
4. directs, without prejudice to any statutory provision to the like effect, that it is a condition of this authorisation that the placing of the authorised markings A and B on the said roads shall continue to have effect only until such day as may be appointed by one month's notice given by the Secretary of State in writing to the traffic authority for the removal or alteration of the authorised markings A and B and on that day the said authorisation shall, without prejudice to the giving of any further authorisation or direction, cease to have effect.



The provisions of Regulations 12 and 31 of The Traffic Signs Regulations 2002, (Part I of SI 2002 No. 3113, "the 2002 Regulations") shall apply to the authorised marking A in the same manner as they apply to the road marking to diagram 1028.3 in Schedule 6 to those Regulations

The provisions of Regulations 12 and 31 of the 2002 Regulations shall apply to the authorised marking B in the same manner as they apply to the road marking to diagram 1033 in Schedule 6 to those Regulations.

Dated *28 September* 2012

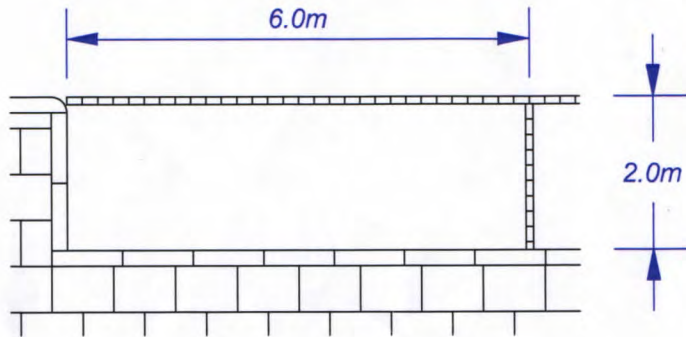
Signed by authority of the Secretary of State

.....
[Redacted Signature]

A Delegated Official of the Department for Transport



Sections A - A and C - C

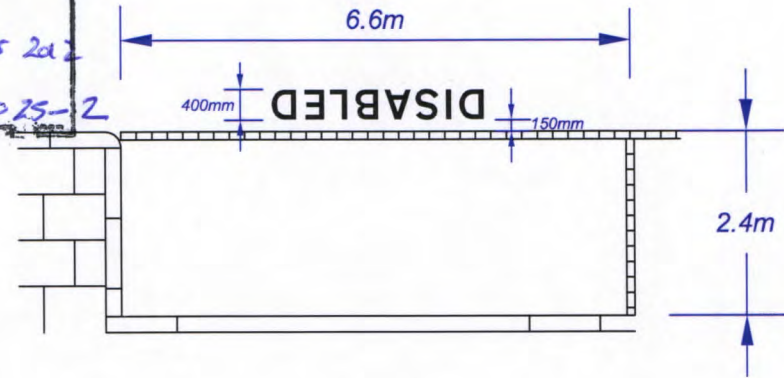


Department for Transport

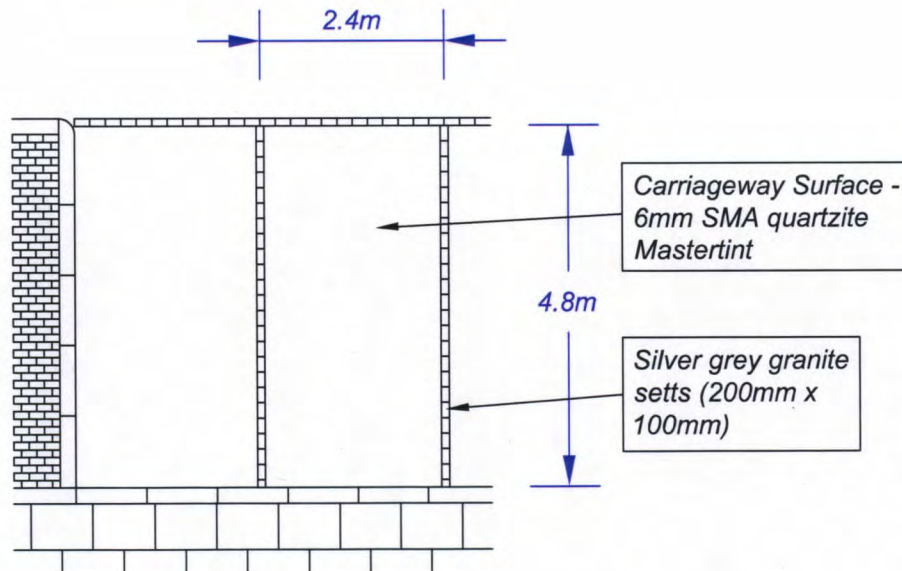
Date 27 September 2012

No. G/SO/064/0025-2

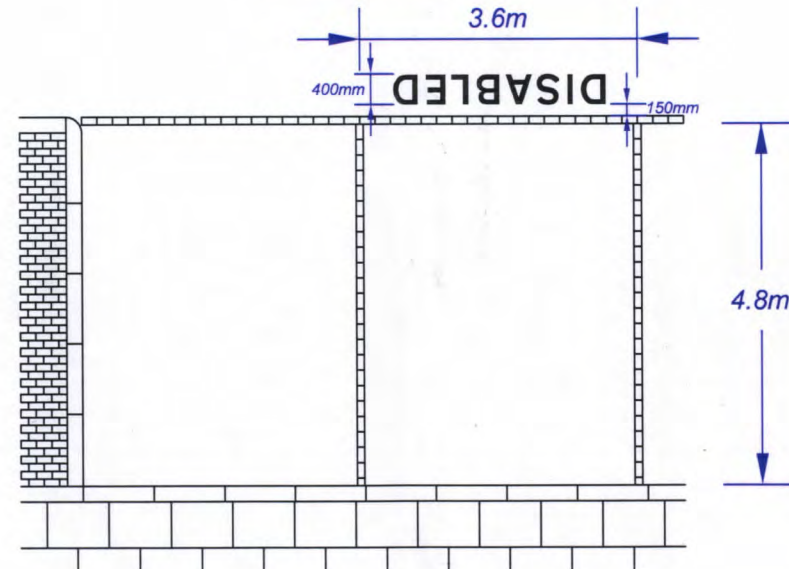
Section B - B



Sections D - D and F - F



Section E - E



REVISIONS / NOTES		



Engineering and Special Projects
 Manager: Peter Atkinson BSc (Hons) DipT CEng MICE MCiHT
 Elliott House, Market Square, Nelson, BB9 0LX
 Tel: (01282) 661661 Fax: (01282) 661068

PROJECT:
 Nelson Town Centre:
 Public Realm Improvements

DESCRIPTION:
 DfT Special Authorisation:
 Parking Bay Details

DRAWN BY: N Y

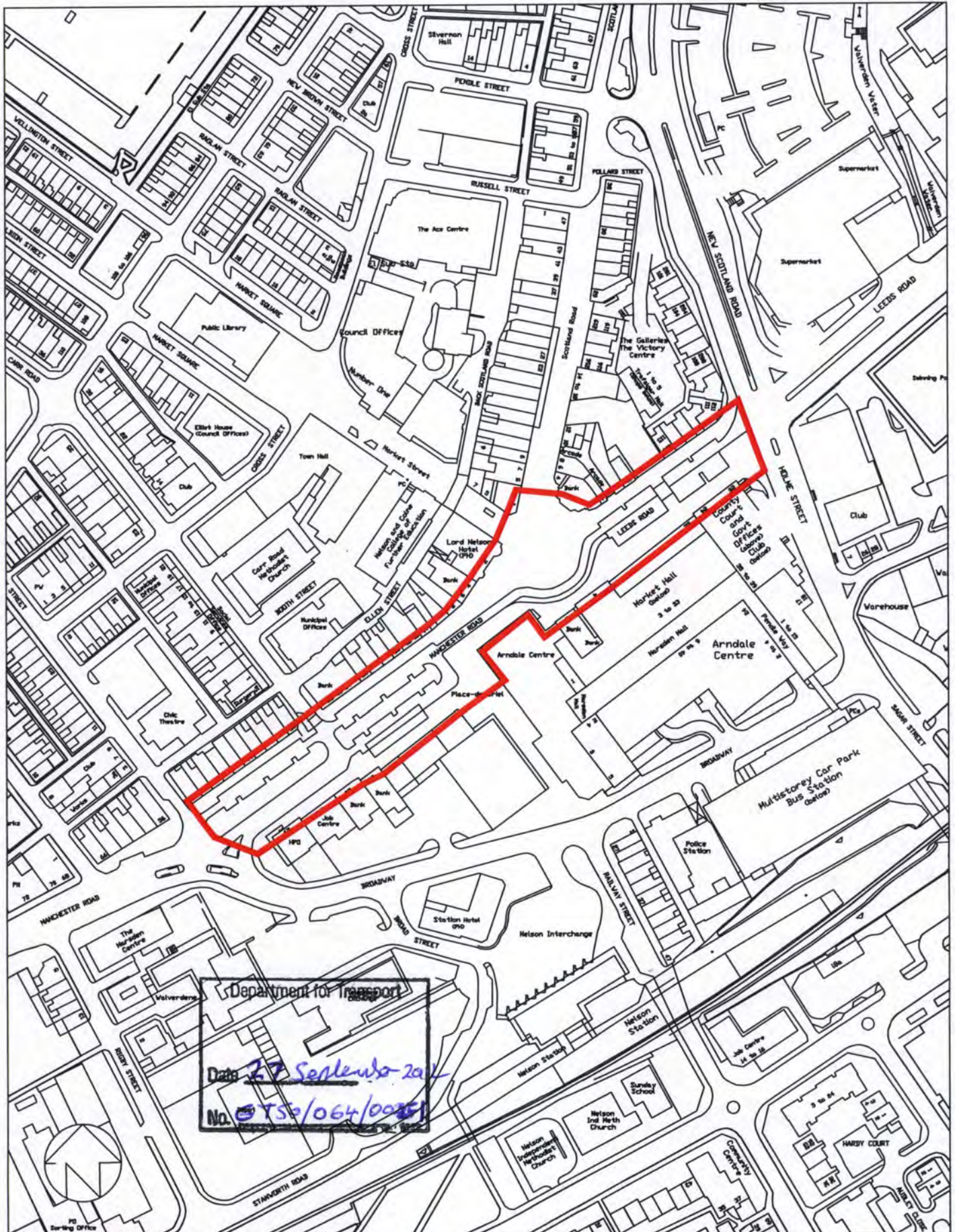
CHECKED: S F

DATE: 15 June 2012

FILE REF:

SCALE: N.T.S.

DRAWING NUMBER: E0151D / 165



Department for Transport
 Date: 27 September 2012
 No. TS/064/0001

Borough of Pendle
 Engineering and Special Projects
 Manager: Peter Atkinson BSc (Hons) DipT CEng
 MICE MCIMT
 Elliott House, Market Square, Nelson, BB9 0LX
 Tel: (01282) 661661 Fax: (01282) 661068

PROJECT:
 Nelson Town Centre:
 Public Realm Improvements

DESCRIPTION:
 DfT Special Authorisation:
 Location Plan

DRAWN BY: N Y

DATE: June 2012

SCALE: 1:500

REVISIONS / NOTES

DRAWING NUMBER: E0151D / 63