



**ROAD TRAFFIC REGULATION ACT 1984 - SECTIONS 64 AND 65
AUTHORISATION OF TRAFFIC SIGNS AND SPECIAL DIRECTIONS**

The Secretary of State for Transport, in exercise of his powers under Sections 64 and 65 of the Road Traffic Regulation Act 1984, and of all other powers enabling him in that behalf, for the purpose of indicating the possible presence of children going to or from schools or playgrounds in the City of Westminster, hereby:-

1. authorises the placing on roads for which City of Westminster is the Traffic Authority of a traffic sign consisting of road marking (hereinafter referred to as "the authorised road marking") conforming as to size, colour and character with that shown in the attached drawing NP 545RM; and
2. directs that it is a condition of this authorisation that the authorised road marking be placed in conjunction with the sign to diagram 545 in Schedule 1 to the Traffic Signs Regulations 2002 (Part I of SI 2002 No. 3113, "the 2002 Regulations"); and
3. directs, without prejudice to any statutory provision to the like effect, that it is a condition of this authorisation that the placing of the authorised marking on the said roads shall continue to have effect only until such day as may be appointed by one month's notice given by the Secretary of State in writing to the traffic authority for the removal or alteration of the authorised marking and on that day the said authorisation shall, without prejudice to the giving of any further authorisation or direction, cease to have effect.



Department
for Transport

GT50/024/0051

The provisions of Regulation 12 and 31 of the 2002 Regulations shall apply to the authorised road marking in the same manner as they apply to the road marking to diagram 1057 in Schedule 6 to those Regulations.

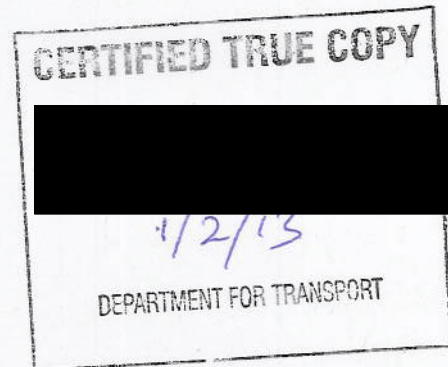
Dated 29 January2013

Signed by authority of the Secretary of State



.....

A Delegated Official of the Department of Transport

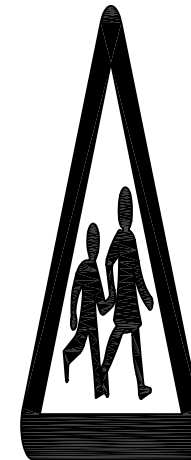
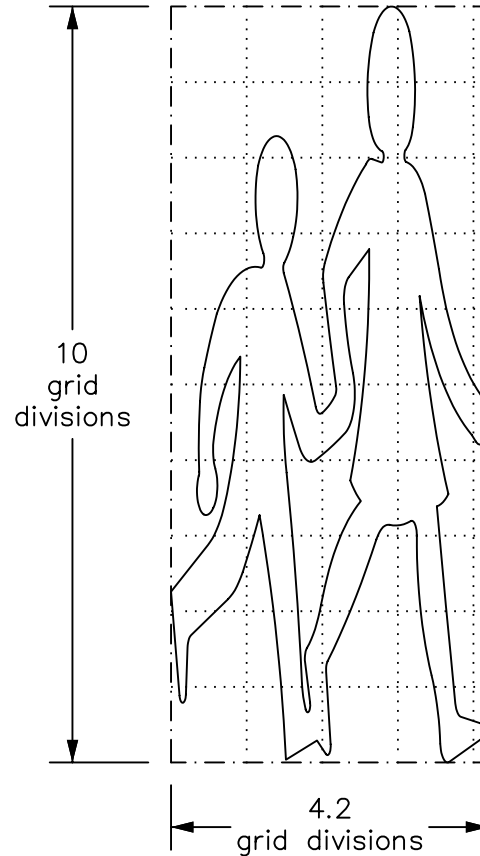
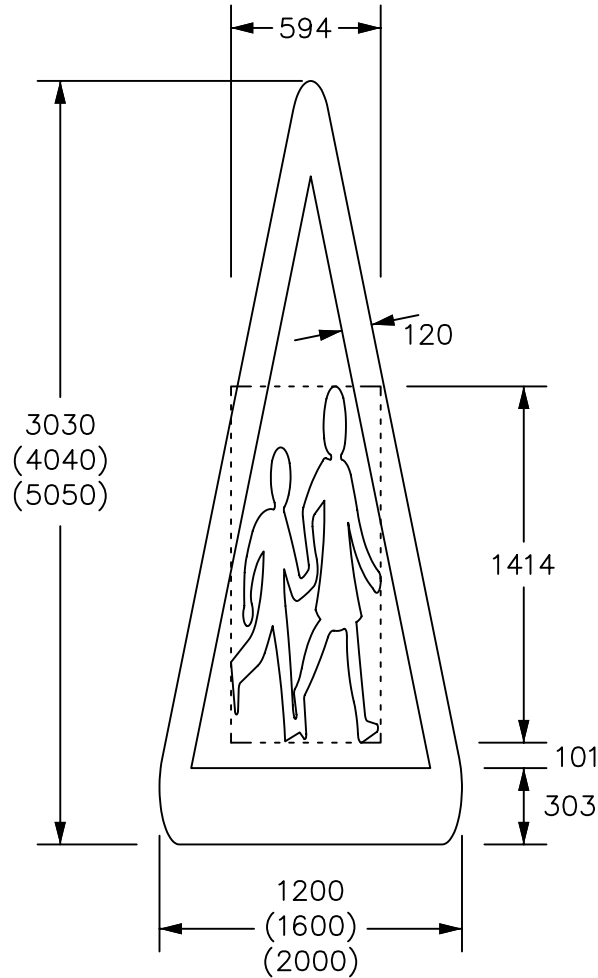


Drawing No.
NP 545RM

Related Drawings
P 500 & P545

© CROWN COPYRIGHT

- NOTES:—
1. Marking is based on drawing P 545 elongated vertically by a factor of 1600/560.
 2. The tile outline does not form part of the marking.
 3. All 3030mm x 1200mm sign dimensions shall be varied proportionally for the other triangle sizes.
 4. Dimensions, other than those shown in grid divisions, are in millimetres.



NP545RM

Before using this drawing, confirm that it has not been superseded.

**Department for
Transport**

Title: Road Marking
CHILDREN
(going to or from school)
or playground ahead

Issue: Date:
A: 3.2.98
C: 19.3.03
D: 29.12.03

Drawn by: R.M.
Approved by: R.M.

Dimensions:
SEE
NOTE 4

Drawing No.
NP 545RM