



**ROAD TRAFFIC REGULATION ACT 1984 – SECTIONS 64 AND 65  
AUTHORISATION OF TRAFFIC SIGNS AND SPECIAL DIRECTIONS**

The Secretary of State, in exercise of his powers under Sections 64 and 65 of the Road Traffic Regulation Act 1984 and of all other powers enabling him in that behalf, for the purpose of warning road users of school children outside the Surestart Centre, Clovelly Road, Southampton, hereby:-

1. authorises the placing within the vicinity of the sites marked schematically on the attached plan numbered GT50/150/027-1 of a traffic sign consisting of a road marking (hereinafter referred to as "the authorised marking") conforming as to size and character with that shown on the attached drawing numbered NP 545RM (Issue D) with the border in red, symbol in black and the background white; and
2. directs, without prejudice to any statutory provision to the like effect, that it is a condition of this authorisation that the placing of the authorised marking at or near the said sites shall continue to have effect only until such day as may be appointed by one month's notice given by the Secretary of State in writing to the traffic authority for the removal or alteration of the authorised marking and on that day the said authorisation shall, without prejudice to the giving of any further authorisation or direction, cease to have effect.

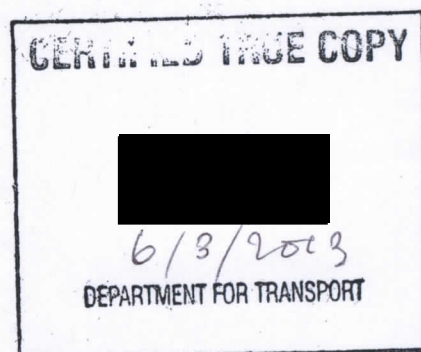
The provisions of Regulations 12 and 31 of the Traffic Signs Regulations 2002 (Part I of S.I. 2002/3113) shall apply to the authorised marking in the same manner as they apply to the road marking shown in diagram 1023 in Schedule 6 to those Regulations.

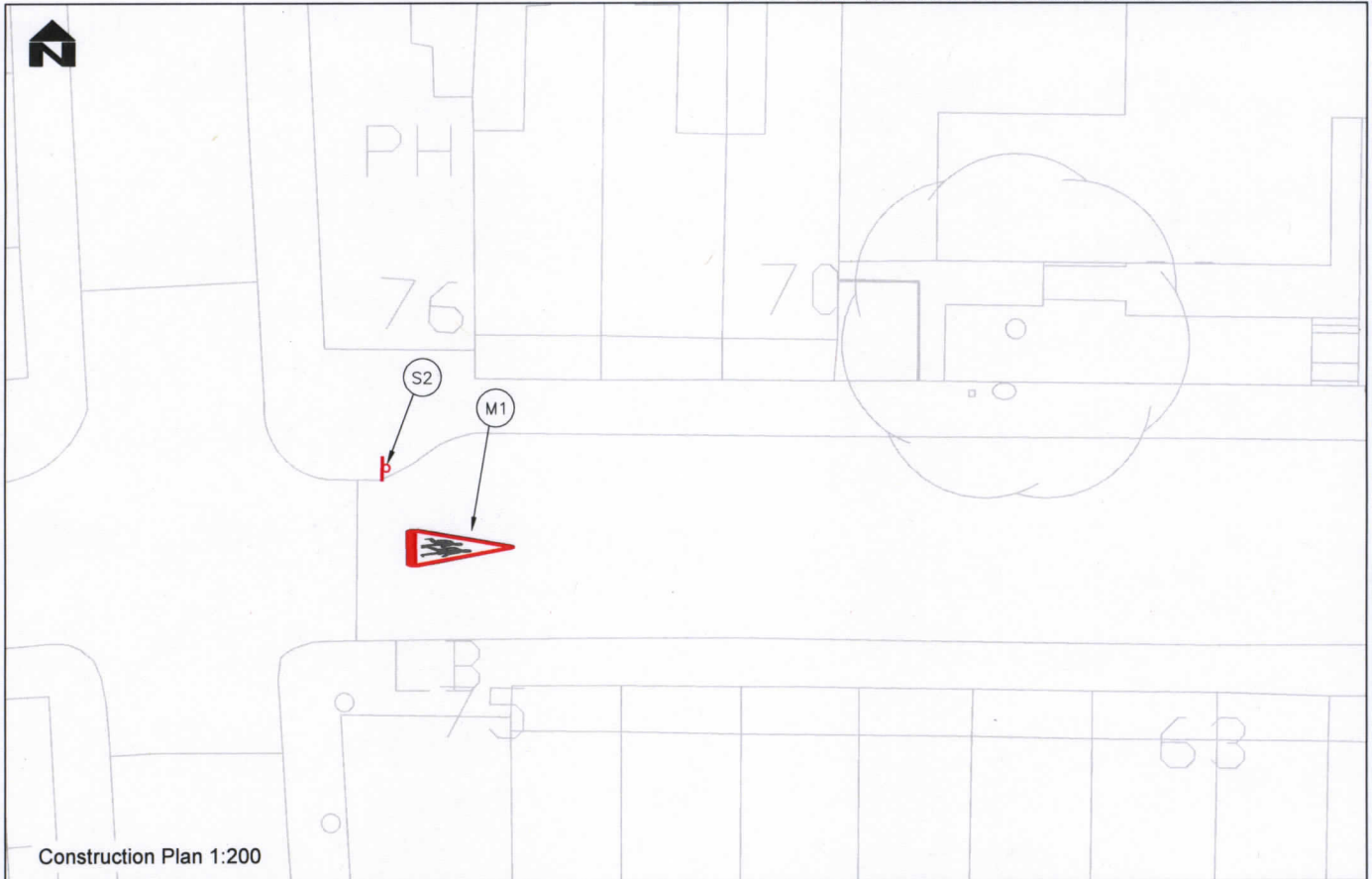
Dated 6 March 2013

Signed by authority of the Secretary of State

[Redacted signature]

A Delegated Official of the Department for Transport





Construction Plan 1:200

Key:

**P** New sign post

Works required:

1. New preformed 'children' TSRGD 545 sign to be placed on carriageway (subject to DfT approval)
2. New TSRGD 545 and supplementary 546 sign to be positioned on new post as shown. Diagram below.



Sign Reference	545
Height	600mm
Width	679mm
Area *	0.24 sq.m
Material	Class RA2 (12899-1:2007)
Mount Height	2300
* Area reduced for rounded corners.	

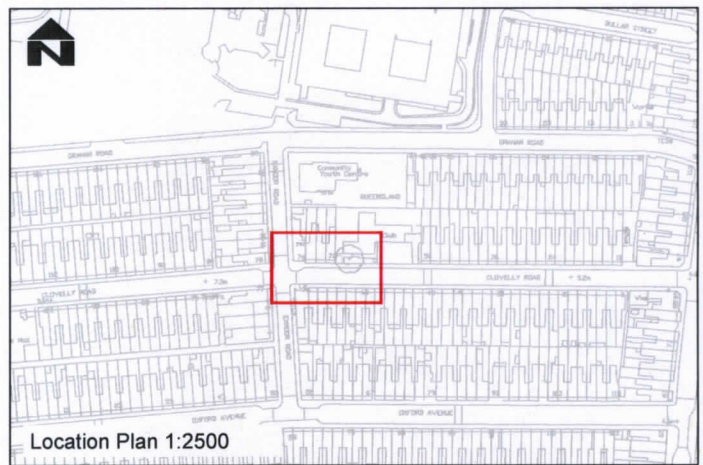
Scheme Ref.	546
Sign Ref.	546
Letter colour	BLACK
Background	WHITE
Border	BLACK
Material	Class RA2 (12899-1:2007)
x-height	62.5
SIGN FACE	
Width	540mm
Height	235mm
Area	0.13sq.m

Scheme Ref.	S2
Sign Ref.	545/546
Letter colour	N/A
Background	YELLOW
Border	N/A
Material	Class NR
x-height	62.5
SIGN FACE	
Width	740mm
Height	940mm
Area	0.69sq.m

**Department for Transport**

Date: 5 March 2013

No. GT50/150/0027-1



Location Plan 1:2500

Proposed New Road Markings			
Marking No.	TSRGD Dwg No.	Description	Size (mm)
M1	NP 545RM	'Children going to school' symbol in centre of carriageway	3030 height, 1200 width

Proposed New Signs			
Marking No.	TSRGD Dwg No.	Description	Size (mm)
S2	545 & 546	'Children going to or from school' sign with 'School supplementary plate. New square post required, to be installed 1.0m east of red bollard.	600 sign height, 50 Text height

REV	DATE	DRWN	CHKD	APPD	AMENDMENT
DRAWING STATUS					
<b>DRAFT</b>					

**Balfour Beatty**  
Living Places  
Working in partnership  
City Depot & Recycling Park  
First Avenue, Millbrook  
SOUTHAMPTON SO15 0LJ  
Tel +44 (0)2380 798010  
Fax +44 (0)2380 512883  
Web www.bbivingplaces.com  
Design Group

**SOUTHAMPTON CITY COUNCIL**  
Southampton City Council  
Civic Centre  
SOUTHAMPTON SO14 7LY

DRAWING TITLE  
**Sure Start - Clovelly Road**  
Detailed design  
for DfT Approval

DESIGNED TH	DRAWN TH	DATE 15/11/12	SHEET 1 of 1	REVISION
CHECKED	APPROVED	SCALE as shown		
DRAWING NUMBER <b>11/AL/M/023/025</b>				

Drawing No.

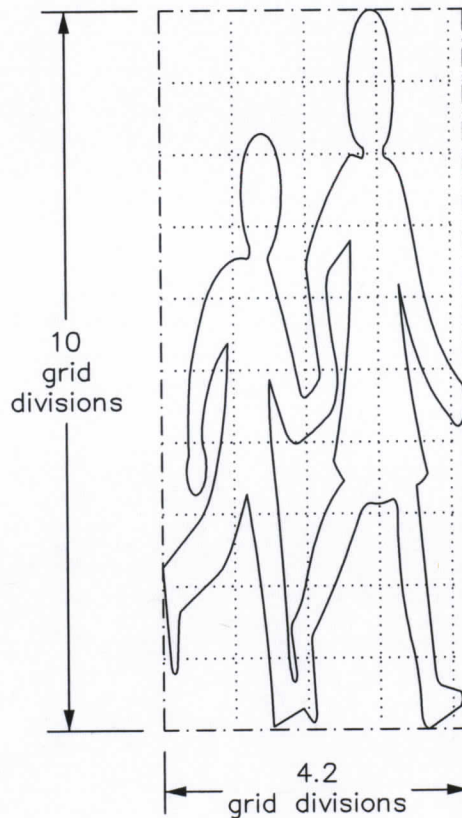
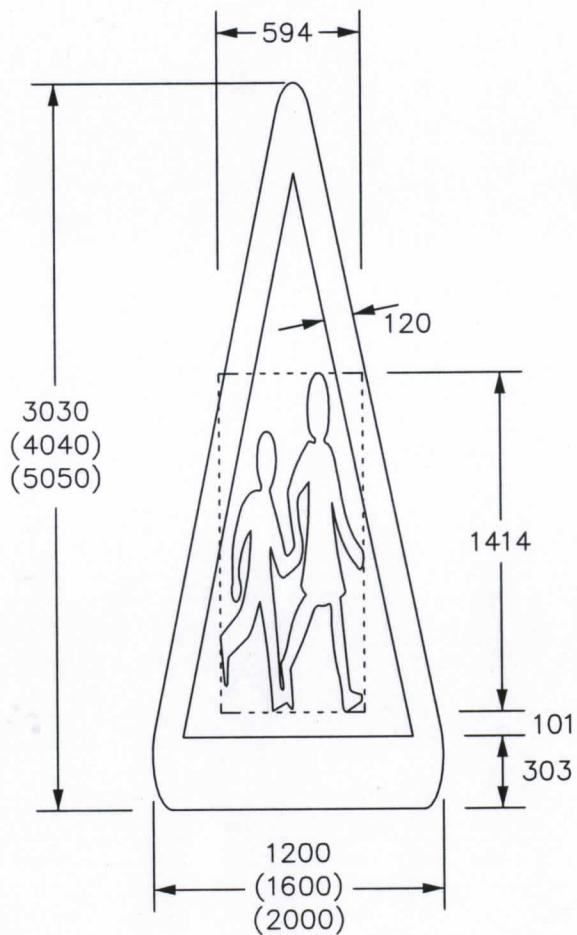
NP 545RM

Related Drawings

P 500 & P545

© CROWN COPYRIGHT

- NOTES:—
1. Marking is based on drawing P 545 elongated vertically by a factor of 1600/560.
  2. The tile outline does not form part of the marking.
  3. All 3030mm x 1200mm sign dimensions shall be varied proportionally for the other triangle sizes.
  4. Dimensions, other than those shown in grid divisions, are in millimetres.



Before using this drawing, confirm that it has not been superseded.

NP545RM

**Department for  
Transport**

Title:

Road Marking  
**CHILDREN**  
(going to or from school  
or playground ahead)

Issue: Date:  
A: 3.2.98  
C: 19.3.03  
D: 29.12.03

Drawn by:  
R.M.  
Approved by:  
R.M.

Dimensions:  
SEE  
NOTE 4

Drawing No.

NP 545RM