



**ROAD TRAFFIC REGULATION ACT 1984 - SECTIONS 64 AND 65
AUTHORISATION OF TRAFFIC SIGNS AND SPECIAL DIRECTIONS**

The Secretary of State for Transport, in exercise of his powers under Sections 64 and 65 of the Road Traffic Regulation Act 1984, and of all other powers enabling him in that behalf, for the purpose of informing road users of gunfire noise on the A17 Sleaford Road in Beckingham, Lincolnshire, hereby:-

1. authorises the erection at or within 5 metres of the site indicated on the attached plan numbered GT50/068/0018-1 of a traffic sign consisting of a plate (hereinafter referred to as "the authorised plate") conforming as to size, colour and character with that shown on the attached drawing numbered GT50/068/0018-2; and
2. directs that the authorised plate shall only be used with the sign to diagram 562 in Schedule 1 to the Traffic Signs Regulations 2002 (Part I of S.I. 2002/3113, "the 2002 Regulations"); and
3. directs that the provisions of Direction 20 of the Traffic Signs General Directions 2002 (Part II of S.I. 2002/3113) shall not apply to the sign to diagram 562 of the 2002 Regulations when used with the authorised plate; and
4. directs, without prejudice to any statutory provision to the like effect, that it is a condition of this authorisation that the erection of the authorised plate at or near the said site shall continue to have effect only until such day as may be appointed by one month's notice given by the Secretary of State in writing to the traffic authority for the removal or alteration of the authorised plate and on that day the said authorisation shall, without prejudice to the giving of any further authorisation or direction, cease to have effect.



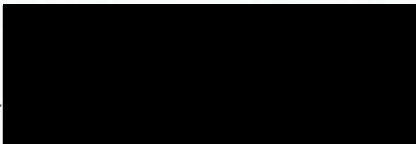
Department
for Transport

GT50/068/0018

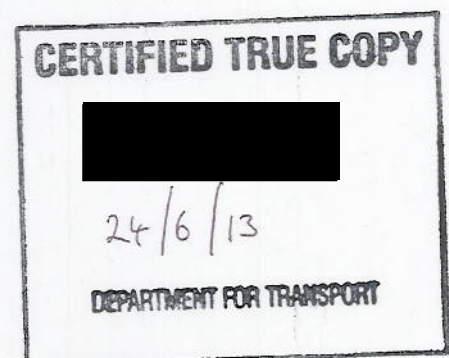
The provisions of Regulations 12 and 20 of the 2002 Regulations shall apply to the authorised plate in the same manner as they apply to the plate shown in diagram 563 when used in conjunction with the sign to diagram 562 in Schedule 1 to those Regulations.

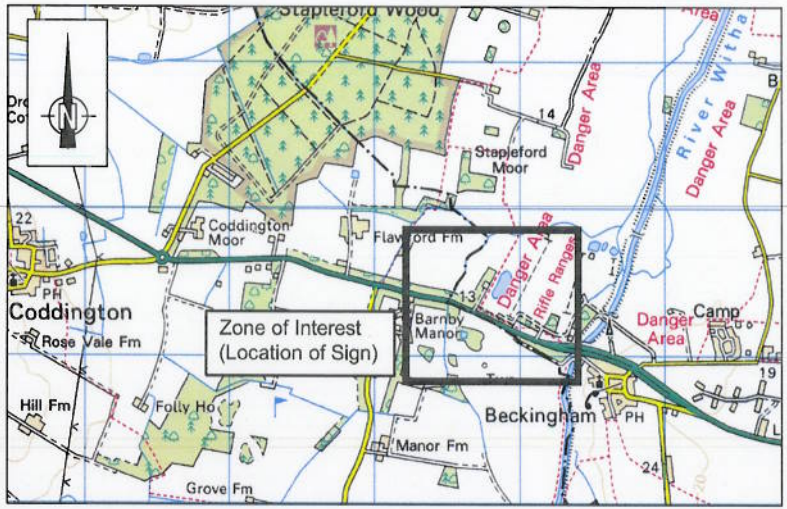
Dated *21 June* 2013

Signed by authority of the Secretary of State



.....
A Delegated Official of the Department for Transport





X-Refs & Blocks used in this Drawing
 x-osbase
 x-raster base
 x-sign plan

Department for Transport
 Date: 19 June 2013
 No. GT50/068/0018-1

APPROVED FOR GENERAL ISSUE
 (NOT TO BE USED FOR PRICING OR CONSTRUCTION PURPOSES)
 FOR THIRD PARTY USE THIS DRAWING SHALL BE DEEMED
 CURRENT ONLY AT THE DATE OF APPROVAL. PLEASE CHECK
 FOR AMENDMENTS BEFORE USE

Revision	Description	Drawn By	CAD By	Approved By	Approval Date


Amendment Details

1st Approval by: JJ | Date: 17/6/13

Drawn/Designed by: SF | CAD Drawing Creation Date: 14/6/13

Scale: 1:5000 (Do not scale from this drawing)
 Primary: 1:5000
 Secondary: 1:50,000

Lincolnshire County Council
Highways Alliance
TECHNICAL SERVICES PARTNERSHIP
 28 F. 200K
 WILLOW HOUSE
 BRAYFORD BUSINESS PARK
 LINCOLN LA1 1YF
 Customer Service Centre 01522 782170



F/SL1949158 /13/8100 Rev.

Alternative Scheme Code:

Parish: **BECKINGHAM**

Road No: **A17** | Structure No:

Description:
**GUNFIRE NOISE WARNING SIGN
 NEW SIGN LOCATION
 PLAN FOR DFT SIGN AUTHORISATION**

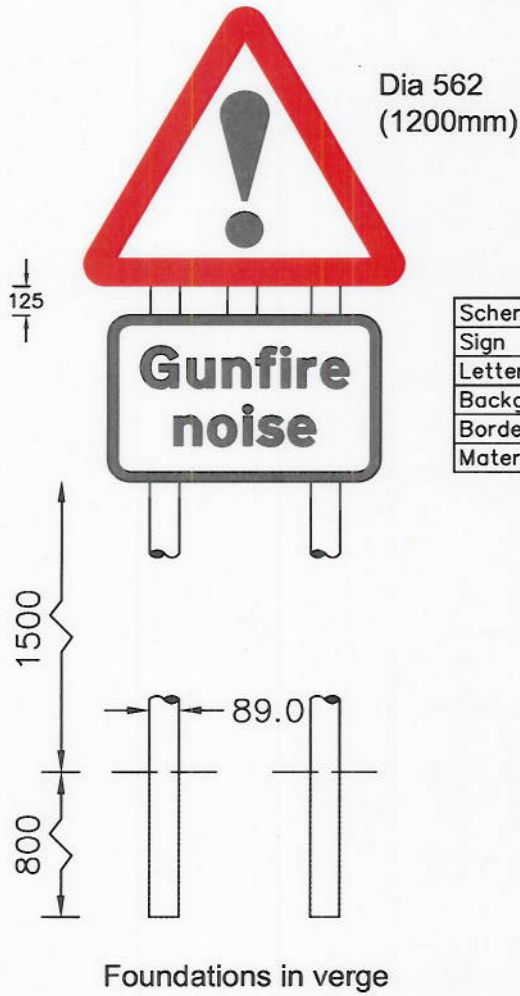
LINCOLNSHIRE COUNTY COUNCIL - Reproduced from Ordnance Survey material with the permission of Ordnance Survey on behalf of the Controller of Her Majesty's Stationery Office © Crown copyright. Unauthorised reproduction infringes Crown copyright and may lead to prosecution or civil proceedings. OS Licence 100025370



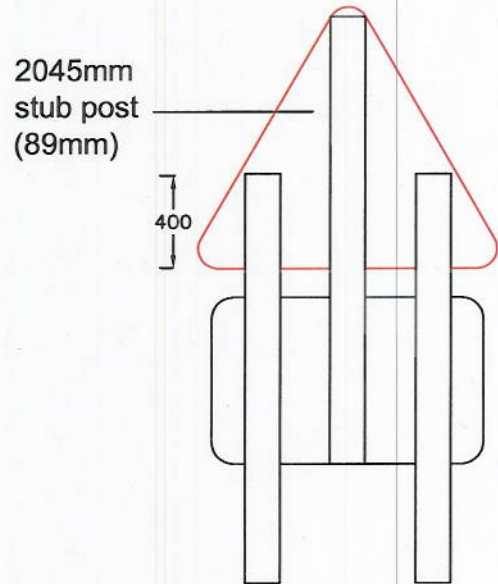
Department for Transport

Date: 19 June 2013

No. GT50/068/0018-2



Scheme Ref. SL1949158	
Sign Ref. Dia 563 var	x-height 125.0
Letter colour BLACK	SIGN FACE
Background WHITE	Width 1155mm
Border BLACK	Height 720mm
Material Microprismatic	Area 0.83sq.m



Rear of sign

Sign Details	Location	A17 Beckingham		
	Diagram No.	562/ 563 var		
	'X' Height	125mm	Height	1200/720mm
	Width	1155mm	Sign Area	0.83sq.m
	Letter Colour	BLACK	Border	BLACK
	Background	WHITE	Material	Microprismatic
Post Details	Post Ø	89mm	W/B Post Ø	-
	Mounting Height	1500mm	Illuminated	NO
	Post Centres	700mm	Foundation Type	TD7/12/3/A1
	Post Length	2x3545mm 1x2045mm		
Notes: NOT TO BE ISSUED UNTIL AUTHORISED BY DFT				

APPROVED FOR ISSUE

Lincolnshire
COUNTY COUNCIL

HIGHWAYS ALLIANCE

TECHNICAL SERVICES PARTNERSHIP
WITHAM PARK HOUSE,
WITHAM PARK,
WATERSIDE SOUTH
LINCOLN LN5 7JN
Customer Service Centre: (01522) 782070



FOR THIRD PARTY USE, THIS DRAWING SHALL BE DEEMED TO BE CURRENT ONLY ON THE DATE OF APPROVAL. PLEASE CHECK FOR AMENDMENTS BEFORE USE.

NOT TO SCALE

Scheme: Gunfire Noise Warning Signs
Beckingham

AMENDMENT DETAILS					
Revision:	Date:	Description:	Amendment Drawn By:	Amendment Checked By:	Amendment Approved By:

F/ SL1949158 / 13 / 8000 / 1 RS
Paper Size Drawing Series Number ID Number Draw Series Number Sign Reference

Drawn by: SF Checked by: SAS 1st Approval By: JJ 1st Approval Date: 23/1/13 Rev: