



**ROAD TRAFFIC REGULATION ACT 1984 – SECTIONS 64 AND 65
AUTHORISATION OF TRAFFIC SIGNS AND SPECIAL DIRECTIONS**

The Secretary of State for Transport, in exercise of his powers under Sections 64 and 65 of the Road Traffic Regulation Act 1984, and all other powers enabling him in that behalf for the purpose of a trial of informing road users of emergency refuge areas (ERAs) on certain Smart Motorways in England, hereby:

1. authorises the erection at appropriate sites on the M3 J2-4a Smart Motorway, M5 J4a-J6 Smart Motorway and M25 J23-27 Smart Motorway in England for which Highways England is the traffic authority, of traffic signs (hereinafter referred to as "the authorised signs") conforming as to size, colour and character with the signs shown in the attached set of drawings numbered GT50/198/0033-1; and
2. directs, without prejudice to any statutory provisions to the like effect, that it is a condition of this authorisation that the erection of the authorised signs at or near the said sites shall continue to have effect only until such day as may be appointed by one month's notice given by the Secretary of State in writing to the traffic authority for the removal or alteration of the said authorised signs, and on that day the said authorisation shall, without prejudice to the giving of any further authorisation or direction, cease to have effect.
3. directs that this authorisation shall remain in force until 31 March 2019.

The provisions of Regulations 7 and 8 of the 2016 Regulations shall apply to the authorised signs in the same manner as they apply to the sign shown in diagram 2713.1 in Schedule 11, Part 2, Item 57 to those Regulations.

Dated: 7 August 2017

Signed by authority of the Secretary of State

.....


A Delegated Official of the Department for Transport

CERTIFIED TRUE COPY



DEPARTMENT FOR TRANSPORT



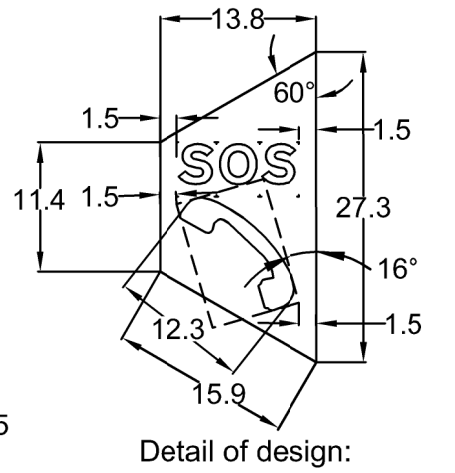
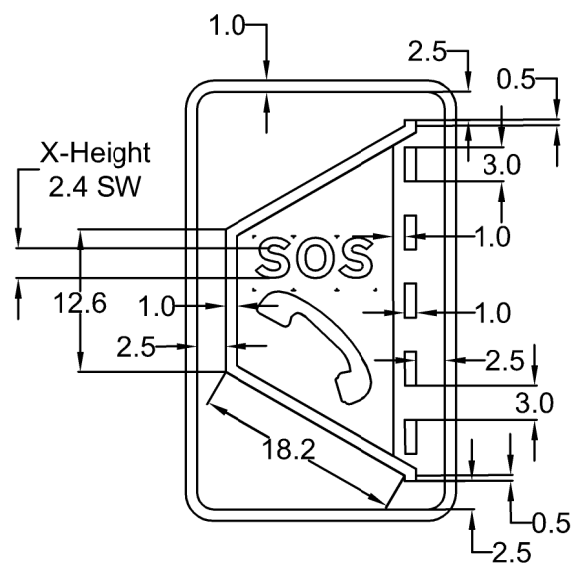
Sign Ref : ERA F1
Not illuminated



Sign Ref : ERA A1
Not illuminated
The distance must be expressed in miles denoted by "mile(s)" and must be "1 mile" (unless site specific constraints necessitate variation.)



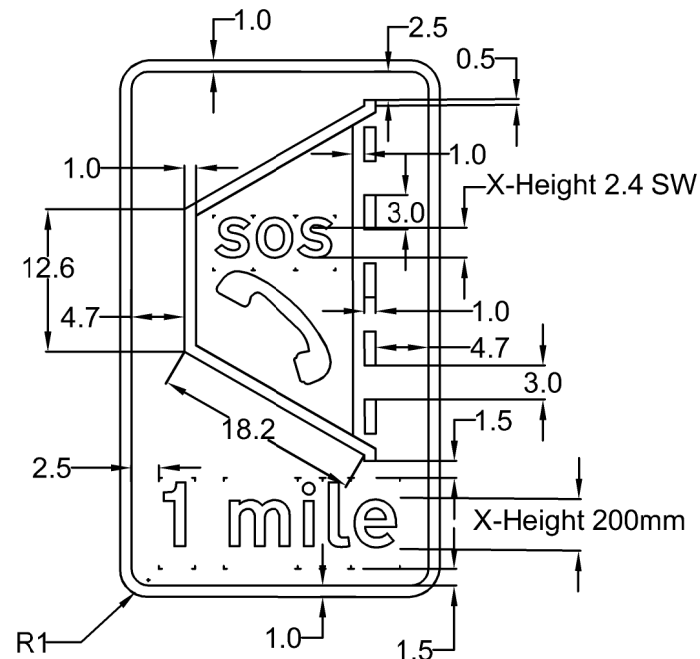
Sign Ref : ERA A2
Not illuminated
The distance must be expressed in yards, denoted by "yds" and must be "300" yds (unless site specific constraints necessitate variation.)



Detail of design:
applies to ERA F1 and A1 to A8

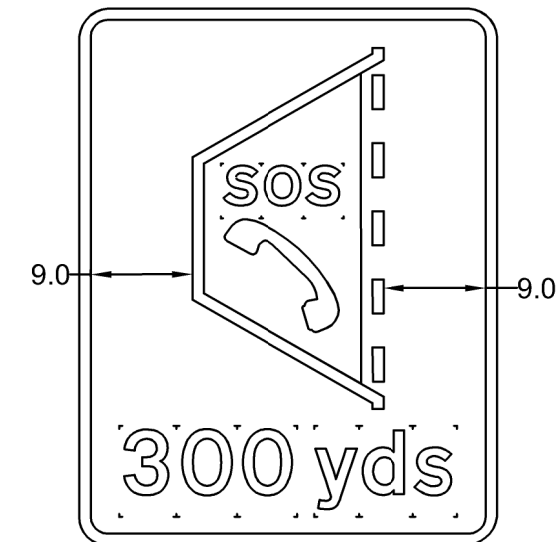
DIMENSIONS ARE IN STROKE WIDTHS

Signing Project	E.R.A. Final Sign				
Sign Reference	ERA F1	Width (mm)	835.0	Background	Blue
x Height (mm)	140.0	Height (mm)	1360.0	Border	White
Material	Class RA2	Area (m ²)	1.13	Legend	White
SOS x Height (mm)	84.0				



DIMENSIONS ARE IN STROKE WIDTHS

Signing Project	E.R.A. Approach Sign				
Sign Reference	ERA A1	Width (mm)	1410.0	Background	Blue
x Height (mm)	200.0	Height (mm)	2365.0	Border	White
Material	Class RA2	Area (m ²)	3.33	Legend	White
SOS x Height (mm)	120.0				



DIMENSIONS ARE IN STROKE WIDTHS

Signing Project	E.R.A. Approach Sign				
Sign Reference	ERA A2	Width (mm)	1835.0	Background	Blue
x Height (mm)	200.0	Height (mm)	2365.0	Border	White
Material	Class RA2	Area (m ²)	4.34	Legend	White
SOS x Height (mm)	120.0				

Unless repeated, dimensions on ERA A1 apply to signs A2 to A8, but are not shown for clarity.

Revision	Amendment	Drawn/Designed	Checked	Approved	Date
C05	Sign distance variants added	KN	TK	SC	03/08/17
C04	SOS x Height detail added	KN	BJ	AH/SC	24/07/17
C03	lower text-to-border heights reduced	KN	BJ	AH/SC	05/07/17
C02	Size of phone reduced	KN	BJ	RB/SC	04/07/17
C01	First issue	SAMc	BJ	TK/SC	16/06/17

This drawing was generated on computer and must not be manually updated. No copies, physically or electronically, may be made of the information or any part of the information contained in this plan without the permission of the Highways England.

EMERGENCY REFUGE AREA SIGNS

Project

Drawing Title

EMERGENCY REFUGE AREA SIGNS

Office

Queen Street, Manchester, M2 5JB, UK
T+ 44 (0) 161 832 4542
wsp.com

Scale	Designed / Drawn	Checked	Approved	Authorised
NTS	SAMc	BJ	TK	SC
Original Size	Date	Date	Date	Date
A3	16/06/17	16/06/17	16/06/17	16/06/17
Status				
FOR AUTHORISATION				
Drawing No	Project	Originator	Volume	Suitability
HE558218-WSP-HSN				A1
ZZ-DR-CH-0001				Revision
				C05
Location	Type	Role	Number	



Sign Ref : ERA A3
Not illuminated

The distance must be expressed in miles denoted by "mile(s)" and must be "1 1/2 miles" (unless site specific constraints necessitate variation.)



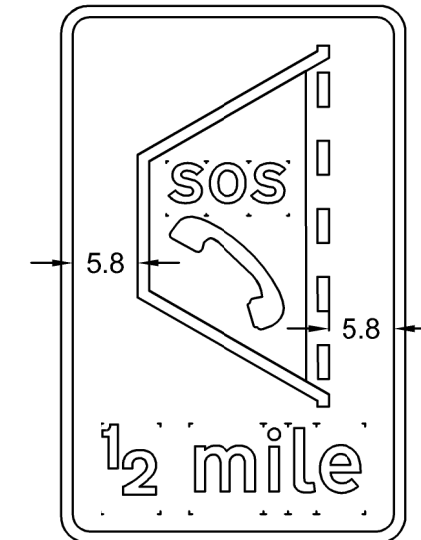
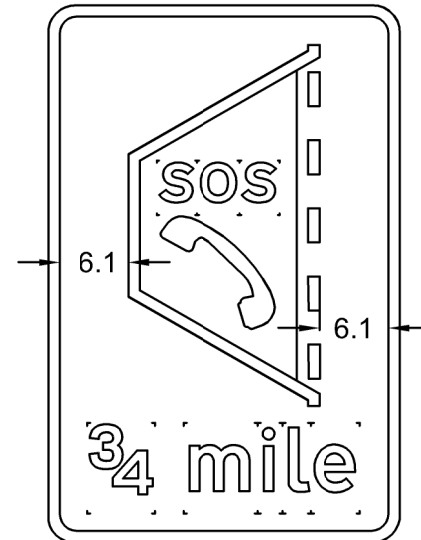
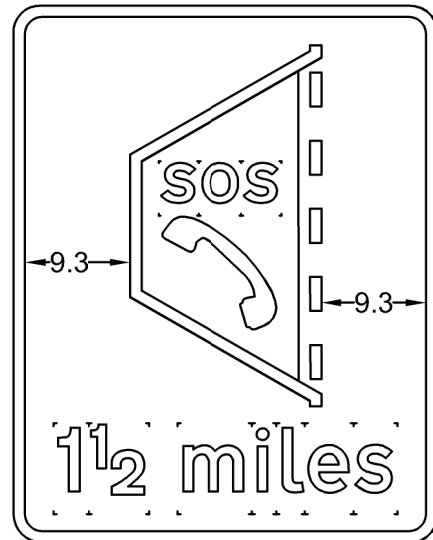
Sign Ref : ERA A4
Not illuminated

The distance must be expressed in miles denoted by "mile(s)" and must be "3/4 mile" (unless site specific constraints necessitate variation.)



Sign Ref : ERA A5
Not illuminated

The distance must be expressed in miles denoted by "mile(s)" and must be "1/2 mile" (unless site specific constraints necessitate variation.)



DIMENSIONS ARE IN STROKE WIDTHS

Signing Project	E.R.A. Approach Sign				
Sign Reference	A3	Width (mm)	1870	Background	Blue
x Height (mm)	200.0	Height (mm)	2365	Border	White
Material	Class RA2	Area (m ²)	4.42	Legend	White
SOS x Height (mm)	120.0				

DIMENSIONS ARE IN STROKE WIDTHS

Signing Project	E.R.A. Approach Sign				
Sign Reference	ERA A4	Width (mm)	1550	Background	Blue
x Height (mm)	200.0	Height (mm)	2365	Border	White
Material	Class RA2	Area (m ²)	3.67	Legend	White
SOS x Height (mm)	120.0				

DIMENSIONS ARE IN STROKE WIDTHS

Signing Project	E.R.A. Approach Sign				
Sign Reference	ERA A5	Width (mm)	1515	Background	Blue
x Height (mm)	200.0	Height (mm)	2365	Border	White
Material	Class RA2	Area (m ²)	3.58	Legend	White
SOS x Height (mm)	120.0				

Unless repeated, dimensions on ERA A1 apply to signs A2 to A8, but are not shown for clarity.

Revision	Amendment	Drawn/Designed	Checked	Approved	Date

This drawing was generated on computer and must not be manually updated. No copies, physically or electronically, may be made of the information or any part of the information contained in this plan without the permission of the Highways England.

Project
EMERGENCY REFUGE AREA SIGNS

Drawing Title
EMERGENCY REFUGE AREA SIGNS

Office
wsp
Queen Street, Manchester, M2 5JB, UK
T+ 44 (0) 161 832 4542
wsp.com

Client
highways england

Scale	Designed / Drawn	Checked	Approved	Authorised
NTS	KN	TK	SC	SC
Original Size	Date	Date	Date	Date
A3	03/08/17	03/08/17	03/08/17	03/08/17
Status				
FOR AUTHORISATION				
Drawing No	Project	Volume	Suitability	
HE558218-WSP-HSN			A1	
ZZ-DR-CH-0003				Revision
				C01
Location	Type	Role	Number	



Sign Ref : ERA A6
Not illuminated

The distance must be expressed in miles denoted by "mile(s)" and must be "1/3 mile" (unless site specific constraints necessitate variation.)



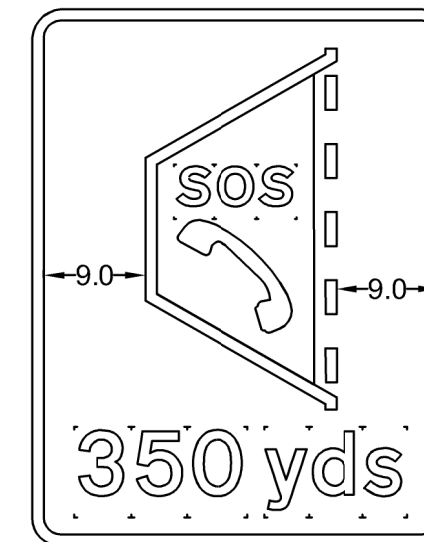
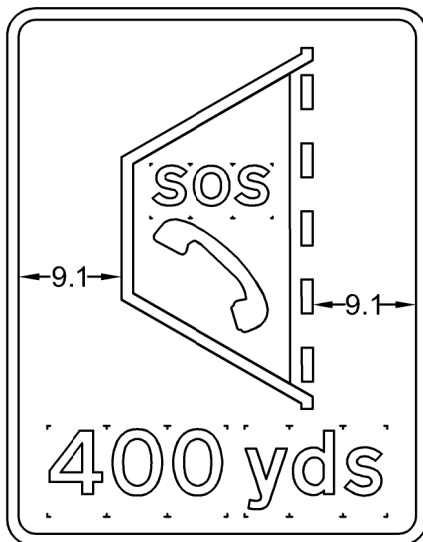
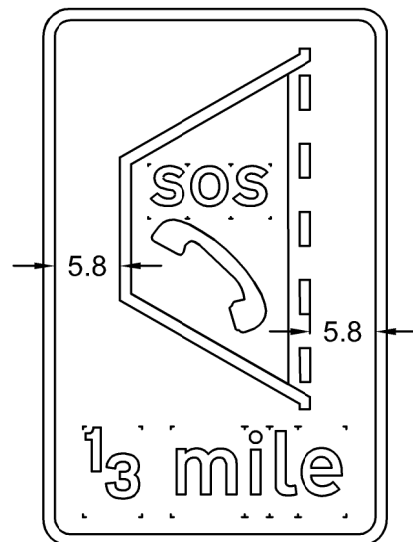
Sign Ref : ERA A7
Not illuminated

The distance must be expressed in yards, denoted by "yds" and must be "400" yds (unless site specific constraints necessitate variation.)



Sign Ref : ERA A8
Not illuminated

The distance must be expressed in yards, denoted by "yds" and must be "350" yds (unless site specific constraints necessitate variation.)



DIMENSIONS ARE IN STROKE WIDTHS

Signing Project	E.R.A. Approach Sign				
Sign Reference	ERA A6	Width (mm)	1515	Background	Blue
x Height (mm)	200.0	Height (mm)	2365	Border	White
Material	Class RA2	Area (m ²)	3.58	Legend	White
SOS x Height (mm)	120.0				

DIMENSIONS ARE IN STROKE WIDTHS

Signing Project	E.R.A. Approach Sign				
Sign Reference	ERA A7	Width (mm)	1850	Background	Blue
x Height (mm)	200.0	Height (mm)	2365	Border	White
Material	Class RA2	Area (m ²)	4.38	Legend	White
SOS x Height (mm)	120.0				

DIMENSIONS ARE IN STROKE WIDTHS

Signing Project	E.R.A. Approach Sign				
Sign Reference	ERA A8	Width (mm)	1835.0	Background	Blue
x Height (mm)	200.0	Height (mm)	2365.0	Border	White
Material	Class RA2	Area (m ²)	4.34	Legend	White
SOS x Height (mm)	120.0				

Unless repeated, dimensions on ERA A1 apply to signs A2 to A8, but are not shown for clarity.

	EMERGENCY REFUGE AREA SIGNS		
	EMERGENCY REFUGE AREA SIGNS	Queen Street, Manchester, M2 5JB, UK T+ 44 (0) 161 832 4542 wsp.com	
Scale: NTS Original Size: A3 Status: FOR AUTHORISATION Drawing No: HE558218-WSP-HSN Project: ZZ-DR-CH-0004 Location: Type: Role: Number:	Designed / Drawn: KN Date: 03/08/17 Checked: TK Date: 03/08/17 Approved: SC Date: 03/08/17 Authorised: SC Date: 03/08/17 Suitability: A1 Revision: C01		
Project: EMERGENCY REFUGE AREA SIGNS Drawing Title: EMERGENCY REFUGE AREA SIGNS This drawing was generated on computer and must not be manually updated. No copies, physically or electronically, may be made of the information or any part of the information contained in this plan without the permission of the Highways England.			