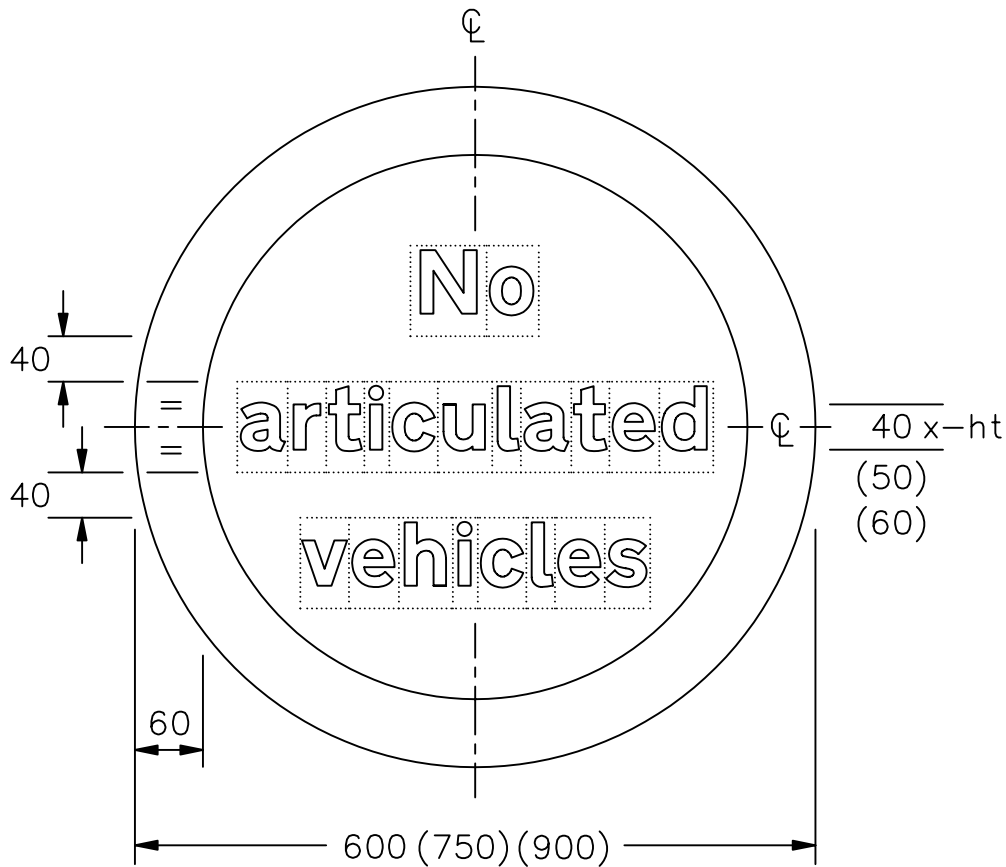


Drawing No.  
P 622.4

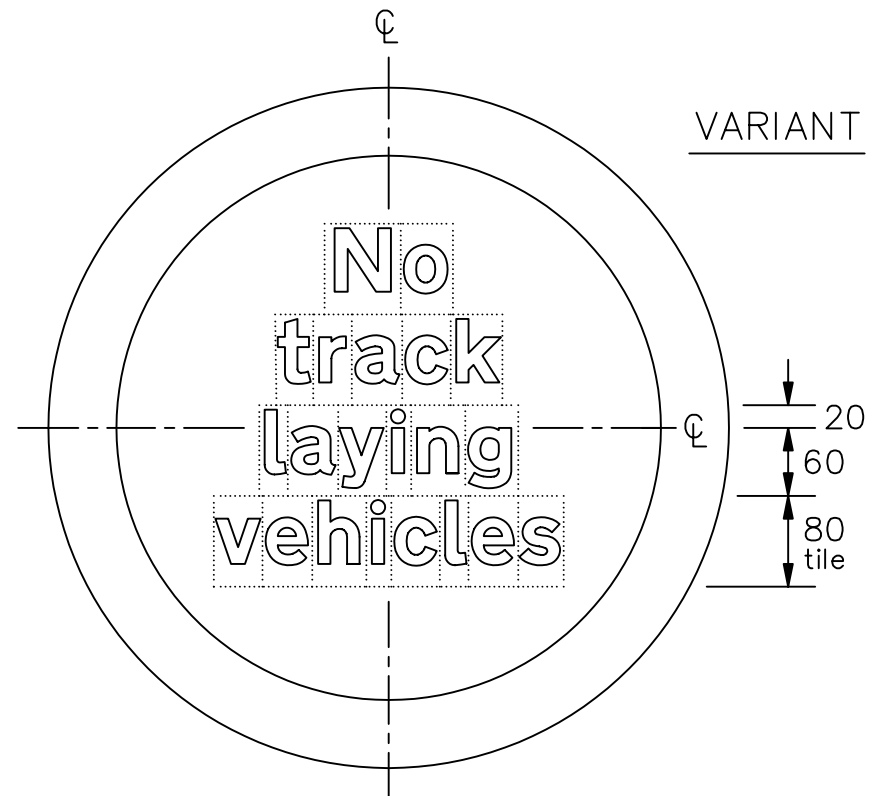
Before using this drawing, confirm that it has not been superseded.

© CROWN COPYRIGHT



LEGEND CENTRALISED HORIZONTALLY ON VERTICAL CENTRE LINE OF ROUNDAL FOR BOTH SIGNS

- NOTES: 1. All 600mm dia sign dimensions shall be varied proportionally for the other roundel sizes.
2. The legend is from the Transport Heavy alphabet at the x-heights shown.
3. The tile outlines do not form part of the signs.
4. COLOURS : Background --- WHITE  
Border ----- RED  
Legend ----- BLACK



P622x4

Department for  
**Transport**

Title: Regulatory Signs  
NO ARTICULATED VEHICLES  
(NO TRACK LAYING VEHICLES)

Issue: Date: Drawn by:  
A: 5.7.94 S.P.  
B: 16.7.04 Approved by:  
C: R.M.

Dimensions:  
MILLIMETRES

Drawing No.  
P 622.4