

Drawing No.
P 602

Related Drawing
P 500

© CROWN COPYRIGHT

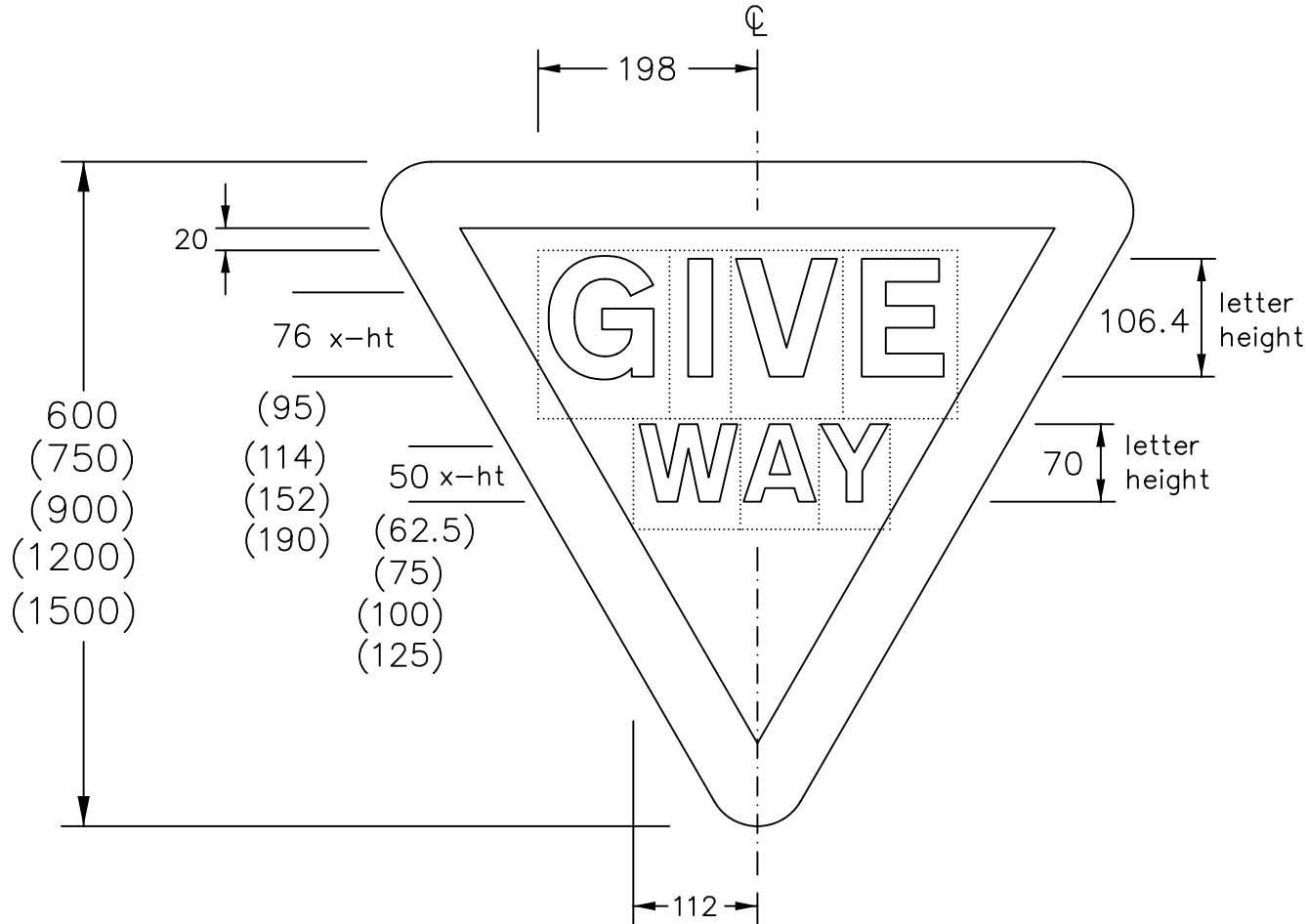
NOTES:— 1. Other dimensions for the triangle are shown on drawing P 500.

2. All 600mm sign dimensions shall be varied proportionally for the other triangle heights.

3. The legend is from the Transport Heavy alphabet at the x-heights shown.

4. The tile outlines do not form part of the sign.

COLOURS : Border ----- RED
Background ---- WHITE
Legend ----- BLACK



P602

Before using this drawing, confirm that it has not been superseded.

Department for Transport	Title: Regulatory Sign GIVE WAY	Issue:	Date:	Drawn by:	Dimensions:	Drawing No.
		A:	4.7.94	S.P.	ALL IN	P 602
		B:	8.7.04	Approved by:	MILLIMETRES	
C:		R.M.				