

Drawing No.  
P 500

Before using this drawing, confirm that it has not been superseded.

© CROWN COPYRIGHT

NOTES: 1. These are the dimensions for the 600, 750, 900, 1200, 1500 and 1800mm triangles.

2. Triangular signs are identified by their height 'H'.

3. COLOURS : Background ---- WHITE  
Border ----- RED

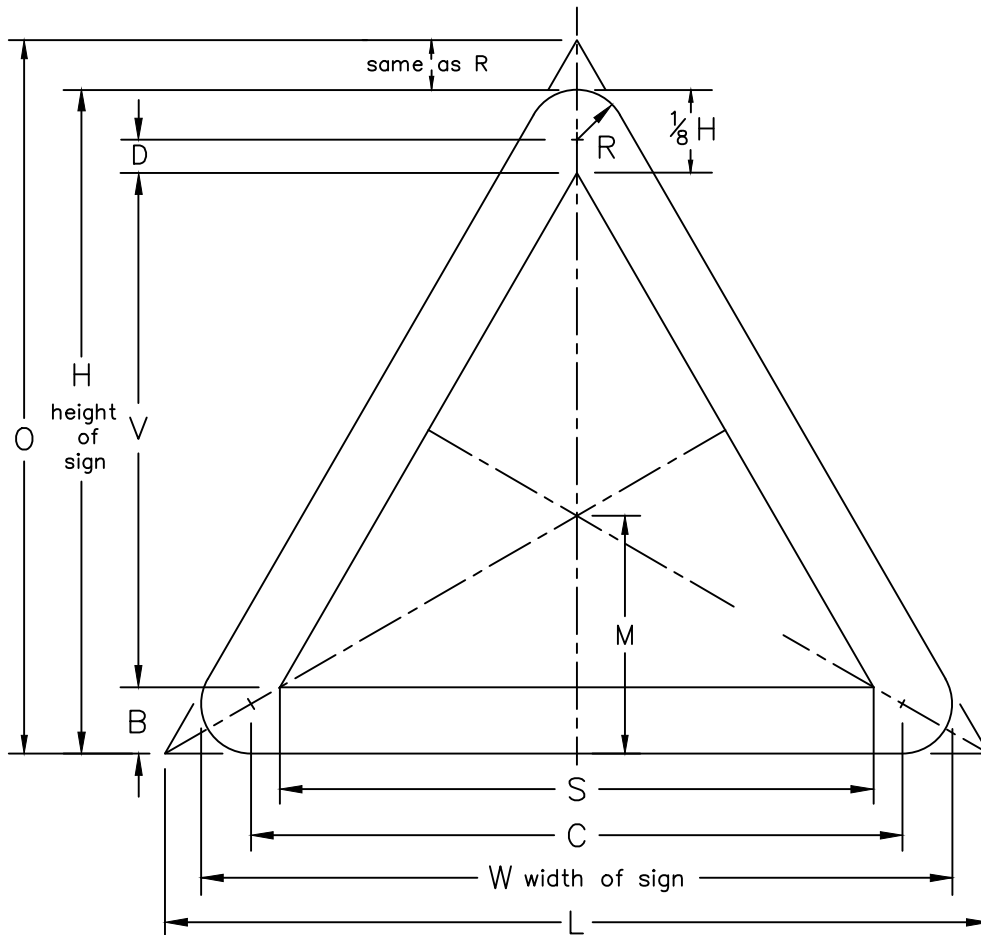


TABLE OF DIMENSIONS in millimetres

Given-----	H	600	750	900	1200	1500	1800
Given(H÷10) = B		60	75	90	120	150	180
Given----- R		45	56	68	90	113	136
$H - (3B - R) = V$		465	581	698	930	1163	1396
$2V \tan 30^\circ = S$		537	671	805	1074	1342	1610
$2(B - R) = D$		30	38	45	60	75	90
$S + 2D \sin 60^\circ = C$		589	736	883	1178	1472	1766
$C + 2R = W$		679	849	1018	1358	1697	2036
$S + 2B \tan 60^\circ = L$		745	931	1117	1490	1862	2234
$H + R = O$		645	806	968	1290	1613	1936
$(L/2) \tan 30^\circ = M$		215	269	323	430	538	646
Area (sq. metres)		0.24	0.37	0.53	0.94	1.47	2.12

P500

Department for  
**Transport**

Title: Warning Sign  
**BASIC TRIANGLE**

Issue: Date:  
A: 20.6.94  
D: 8.7.05  
E: 11.11.11

Drawn by :  
S.P.  
Approved by :  
R.M.

Dimensions :  
AS SHOWN

Drawing No.  
P 500