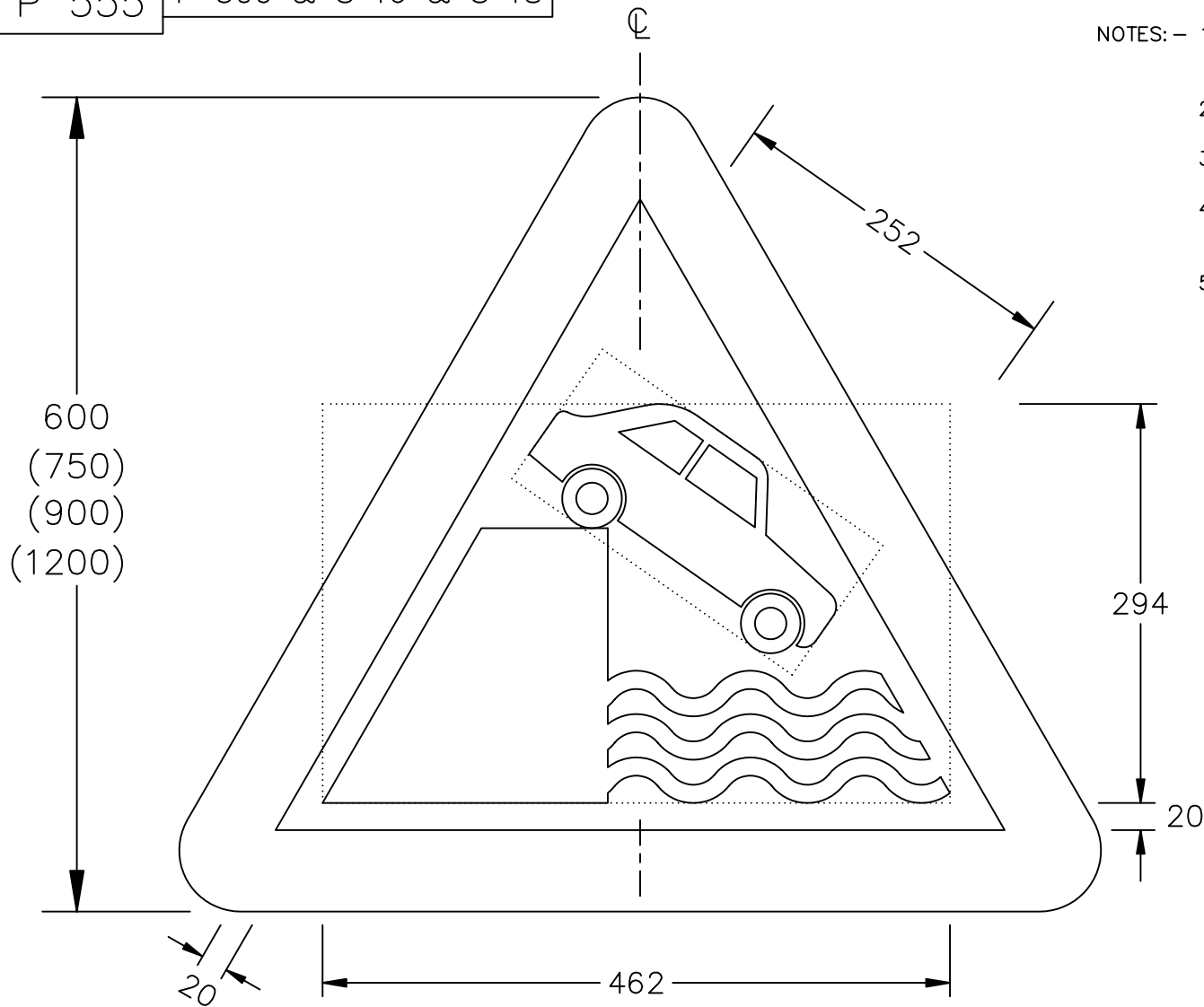


Drawing No.
P 555

Related Drawings
P 500 & S 16 & S 18

© CROWN COPYRIGHT



- NOTES:—
1. Other dimensions for the triangle are shown on drawing P 500.
 2. Symbol details are given on drawings S 16 & S 18.
 3. The tile outlines do not form part of the sign.
 4. All 600mm sign dimensions shall be varied proportionally for the other triangle heights.
 5. COLOURS : Border ----- RED
Background ---- WHITE
Symbols ----- BLACK

P555

Before using this drawing, confirm that it has not been superseded.

Department for
Transport

Title: Warning Sign
QUAYSIDE or RIVER BANK AHEAD

Issue: Date:
A: 28.6.94
B: 6.7.04
C:

Drawn by: S.P.
Approved by: R.M.

Dimensions:
MILLIMETRES

Drawing No.
P 555